

SCG Series

Features

- Self-regulating heating element
- Contant temperature
- Circuit simple
- Suitable for clamp-contacting
- Stable over a long life

Product Dimensions (mm)

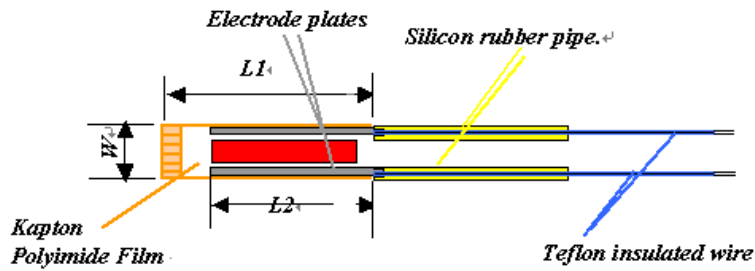


Fig 1

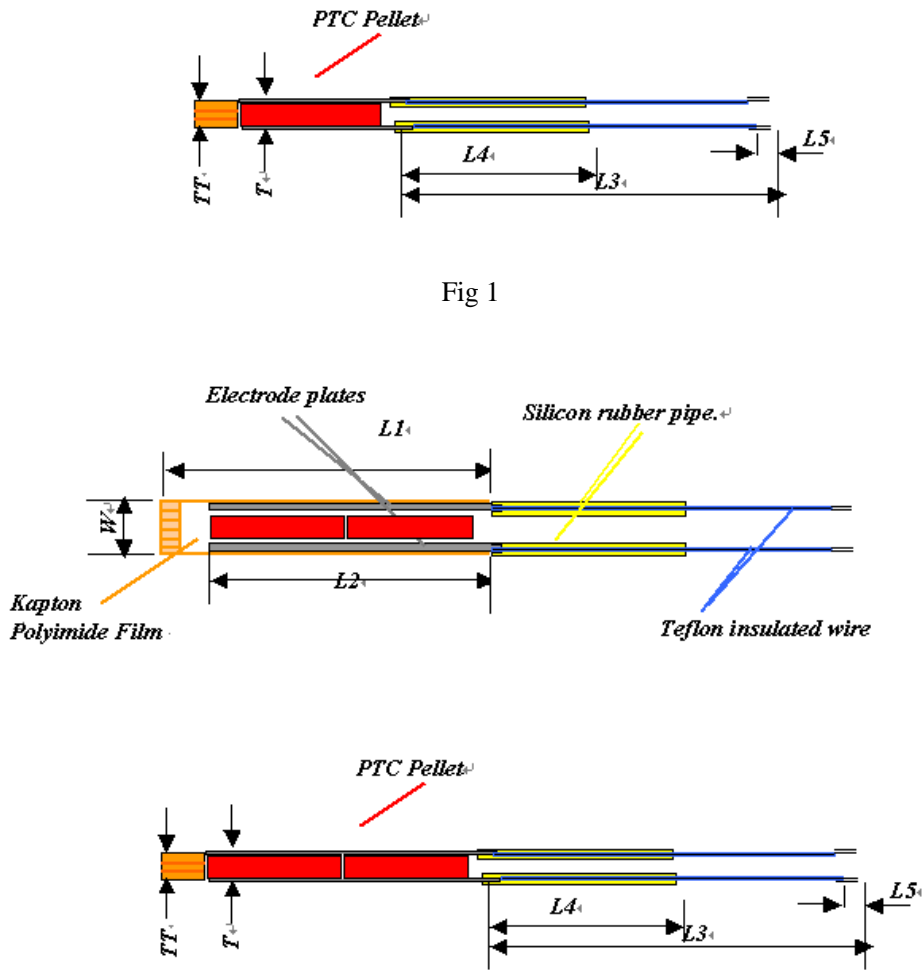


Fig 2

SCG Series

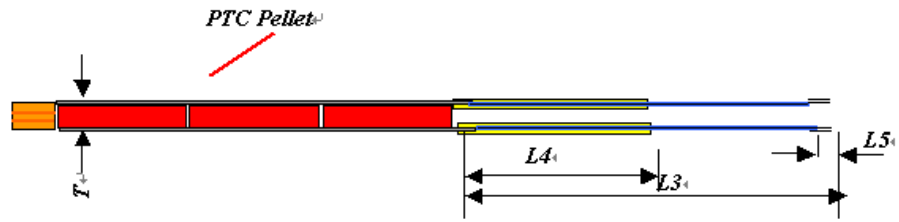
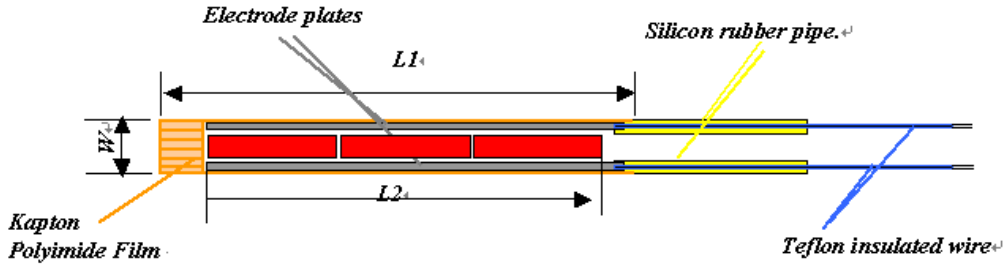


Fig 3

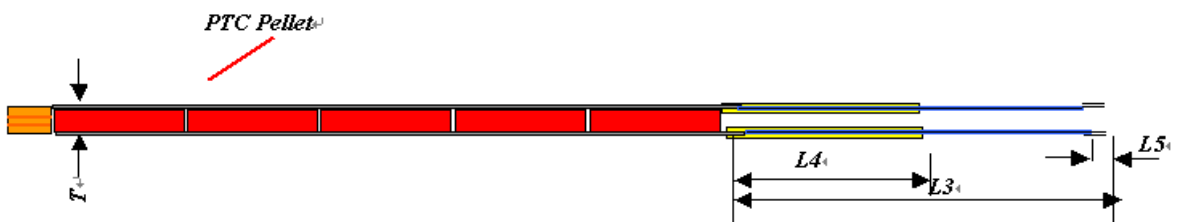
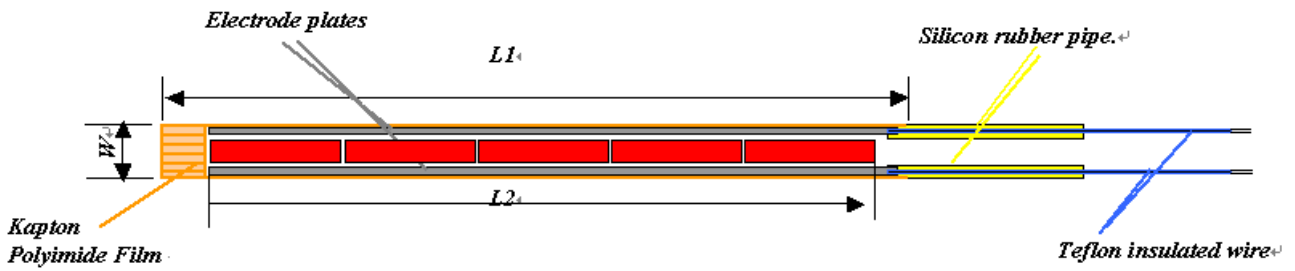


Fig 4

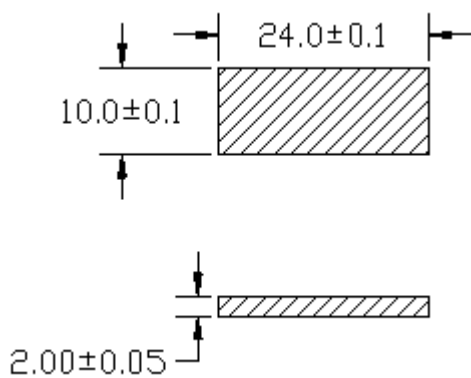


Fig 5

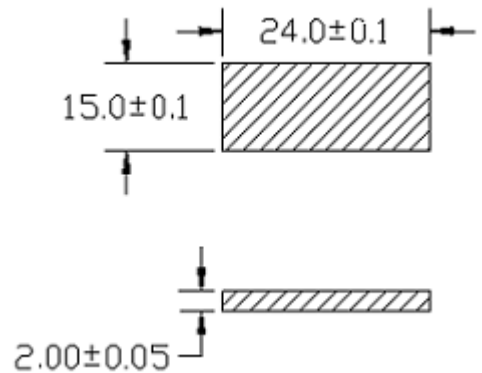


Fig 6



SCG Series

PTC Heater

Fig	L1	L2	L3	L4	L5	T	W *
1	48±2	24±0.5	300±5	30±2	3±0.5	3.5±0.2	12/17±1
2	72±2	48±0.5	300±5	30±2	3±0.5	3.5±0.2	12/17±1
3	96±2	72±0.5	300±5	30±2	3±0.5	3.5±0.2	12/17±1
4	144±2	120±0.5	300±5	30±2	3±0.5	3.5±0.2	12/17±1

* W depends on the width of PTC Pellet

Electrical Characteristics

Part Number	R ₀	T _s	V _R	V _{MAX}	Product Dimensions	Pellet Dimensions
SCG24101B-85	0.2-5.0k Ω	85±10℃	220V	265V	Fig 1	Fig 5
SCG24151B-85	0.2-5.0k Ω	85±10℃	220V	265V	Fig 1	Fig 6
SCG24102B-85	0.2-5.0k Ω	85±10℃	220V	265V	Fig 2	Fig 5
SCG24152B-85	0.2-5.0k Ω	85±10℃	220V	265V	Fig 2	Fig 6
SCG24103B-85	0.2-5.0k Ω	85±10℃	220V	265V	Fig 3	Fig 5
SCG24153B-85	0.2-5.0k Ω	85±10℃	220V	265V	Fig 3	Fig 6
SCG24101B-110	0.2-5.0k Ω	110±10℃	220V	265V	Fig 1	Fig 5
SCG24151B-110	0.2-5.0k Ω	110±10℃	220V	265V	Fig 1	Fig 6
SCG24102B-110	0.2-5.0k Ω	110±10℃	220V	265V	Fig 2	Fig 5
SCG24152B-110	0.2-5.0k Ω	110±10℃	220V	265V	Fig 2	Fig 6
SCG24103B-110	0.2-5.0k Ω	110±10℃	220V	265V	Fig 3	Fig 5
SCG24153B-110	0.2-5.0k Ω	110±10℃	220V	265V	Fig 3	Fig 6
SCG24101B-130	0.2-5.0k Ω	130±10℃	220V	265V	Fig 1	Fig 5
SCG24151B-130	0.2-5.0k Ω	130±10℃	220V	265V	Fig 1	Fig 6
SCG24102B-130	0.2-5.0k Ω	130±10℃	220V	265V	Fig 2	Fig 5
SCG24152B-130	0.2-5.0k Ω	130±10℃	220V	265V	Fig 2	Fig 6
SCG24103B-130	0.2-5.0k Ω	130±10℃	220V	265V	Fig 3	Fig 5
SCG24153B-130	0.2-5.0k Ω	130±10℃	220V	265V	Fig 3	Fig 6
SCG24101B-150	0.2-5.0k Ω	150±10℃	220V	265V	Fig 1	Fig 5
SCG24151B-150	0.2-5.0k Ω	150±10℃	220V	265V	Fig 1	Fig 6
SCG24102B-150	0.2-5.0k Ω	150±10℃	220V	265V	Fig 2	Fig 5
SCG24152B-150	0.2-5.0k Ω	150±10℃	220V	265V	Fig 2	Fig 6
SCG24103B-150	0.2-5.0k Ω	150±10℃	220V	265V	Fig 3	Fig 5
SCG24153B-150	0.2-5.0k Ω	150±10℃	220V	265V	Fig 3	Fig 6

**Ceramic
PTC Devices**

CYG Wayon Circuit Protection Co.,Ltd.
No. 1001, Shiwang Qi Road, Shanghai, China, 201202,
Tel: 86-21- 50968320 50968322 Fax: 86-21-50968316
E-mail:shensl@way-on.com, [Http://www.way-on.com](http://www.way-on.com)



SCG Series

PTC Heater

SCG24151B-180	0.2-5.0k Ω	180 \pm 10 $^{\circ}$ C	220V	265V	Fig 1	Fig 6
SCG24102B-180	0.2-5.0k Ω	180 \pm 10 $^{\circ}$ C	220V	265V	Fig 2	Fig 5
SCG24152B-180	0.2-5.0k Ω	180 \pm 10 $^{\circ}$ C	220V	265V	Fig 2	Fig 6
SCG24103B-180	0.2-5.0k Ω	180 \pm 10 $^{\circ}$ C	220V	265V	Fig 3	Fig 5
SCG24153B-180	0.2-5.0k Ω	180 \pm 10 $^{\circ}$ C	220V	265V	Fig 3	Fig 6
SCG24101B-210	0.2-5.0k Ω	210 \pm 10 $^{\circ}$ C	220V	265V	Fig 1	Fig 5
SCG24151B-210	0.2-5.0k Ω	210 \pm 10 $^{\circ}$ C	220V	265V	Fig 1	Fig 6
SCG24102B-210	0.2-5.0k Ω	210 \pm 10 $^{\circ}$ C	220V	265V	Fig 2	Fig 5
SCG24152B-210	0.2-5.0k Ω	210 \pm 10 $^{\circ}$ C	220V	265V	Fig 2	Fig 6
SCG24103B-210	0.2-5.0k Ω	210 \pm 10 $^{\circ}$ C	220V	265V	Fig 3	Fig 5
SCG24153B-210	0.2-5.0k Ω	210 \pm 10 $^{\circ}$ C	220V	265V	Fig 3	Fig 6
SCG24101B-230	0.2-5.0k Ω	230 \pm 10 $^{\circ}$ C	220V	265V	Fig 1	Fig 5
SCG24151B-230	0.2-5.0k Ω	230 \pm 10 $^{\circ}$ C	220V	265V	Fig 1	Fig 6
SCG24102B-230	0.2-5.0k Ω	230 \pm 10 $^{\circ}$ C	220V	265V	Fig 2	Fig 5
SCG24152B-230	0.2-5.0k Ω	230 \pm 10 $^{\circ}$ C	220V	265V	Fig 2	Fig 6
SCG24103B-230	0.2-5.0k Ω	230 \pm 10 $^{\circ}$ C	220V	265V	Fig 3	Fig 5
SCG24153B-230	0.2-5.0k Ω	230 \pm 10 $^{\circ}$ C	220V	265V	Fig 3	Fig 6
SCG24101B-250	0.2-5.0k Ω	250 \pm 10 $^{\circ}$ C	220V	265V	Fig 1	Fig 5
SCG24151B-250	0.2-5.0k Ω	250 \pm 10 $^{\circ}$ C	220V	265V	Fig 1	Fig 6
SCG24102B-250	0.2-5.0k Ω	250 \pm 10 $^{\circ}$ C	220V	265V	Fig 2	Fig 5
SCG24152B-250	0.2-5.0k Ω	250 \pm 10 $^{\circ}$ C	220V	265V	Fig 2	Fig 6
SCG24101B-265	0.2-5.0k Ω	265 \pm 10 $^{\circ}$ C	220V	265V	Fig 1	Fig 5
SCG24151B-265	0.2-5.0k Ω	265 \pm 10 $^{\circ}$ C	220V	265V	Fig 1	Fig 6
SCG24102B-265	0.2-5.0k Ω	265 \pm 10 $^{\circ}$ C	220V	265V	Fig 2	Fig 5
SCG24103B-265	0.2-5.0k Ω	265 \pm 10 $^{\circ}$ C	220V	265V	Fig 3	Fig 5
SCG24153B-265	0.2-5.0k Ω	265 \pm 10 $^{\circ}$ C	220V	265V	Fig 3	Fig 6
SCG24101B-280	0.2-5.0k Ω	280 \pm 10 $^{\circ}$ C	220V	265V	Fig 1	Fig 5
SCG24151B-280	0.2-5.0k Ω	280 \pm 10 $^{\circ}$ C	220V	265V	Fig 1	Fig 6
SCG24102B-280	0.2-5.0k Ω	280 \pm 10 $^{\circ}$ C	220V	265V	Fig 2	Fig 5
SCG24152B-280	0.2-5.0k Ω	280 \pm 10 $^{\circ}$ C	220V	265V	Fig 2	Fig 6
SCG24103B-280	0.2-5.0k Ω	280 \pm 10 $^{\circ}$ C	220V	265V	Fig 3	Fig 5
SCG24153B-280	0.2-5.0k Ω	280 \pm 10 $^{\circ}$ C	220V	265V	Fig 3	Fig 6

**Ceramic
PTC Devices**

CYG Wayon Circuit Protection Co.,Ltd.
No. 1001, Shiwang Qi Road, Shanghai, China, 201202,
Tel: 86-21- 50968320 50968322 Fax: 86-21-50968316
E-mail:shensl@way-on.com, [Http://www.way-on.com](http://www.way-on.com)



SCG Series

PTC Heater

SCG24101B-300	0.2-5.0k Ω	300 \pm 10 $^{\circ}$ C	220V	265V	Fig 1	Fig 5
SCG24151B-300	0.2-5.0k Ω	300 \pm 10 $^{\circ}$ C	220V	265V	Fig 1	Fig 6
SCG24102B-300	0.2-5.0k Ω	300 \pm 10 $^{\circ}$ C	220V	265V	Fig 2	Fig 5
SCG24152B-300	0.2-5.0k Ω	300 \pm 10 $^{\circ}$ C	220V	265V	Fig 2	Fig 6
SCG24103B-300	0.2-5.0k Ω	300 \pm 10 $^{\circ}$ C	220V	265V	Fig 3	Fig 5
SCG24153B-300	0.2-5.0k Ω	300 \pm 10 $^{\circ}$ C	220V	265V	Fig 3	Fig 6
SCG24105B-300	0.2-5.0k Ω	300 \pm 10 $^{\circ}$ C	220V	265V	Fig 4	Fig 5

R₀ = Rated Resistance at 25 $^{\circ}$ C each one pellet.

T_S= Surface temperature.

V_R= Rated voltage.

V_{MAX} = Max voltage device can withstand without damage.