

Company Profile

(Network Solutions)

Headquarter

15F-7, No716, Chung-Cheng Rd. , Zhong he District., New Taipei City,
Taiwan, 23552
TEL:+886-2-8227-3827 FAX:+886-2-8227-3830

Research & Design Center

7F.-11, No.35, Xintai Rd., Zhubei City, Hsinchu County 30252, Taiwan
TEL:+886-3-5537-271 FAX:+886-3-5535-742

E-Mail: cystek@cystek.com.tw

Website: <http://www.cystekec.com>



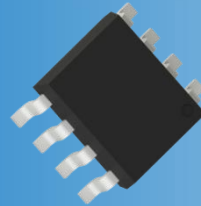
Overview



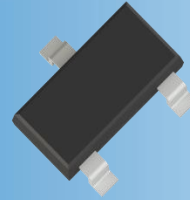
- **Network Solutions**
 - **POE (Active Bridge)**
 - **POE (Primary Side)**
 - **POE (Active Clamp)**
 - **POE (SR Side)**
 - **Hot swap**
 - **PSE**
 - **VoIP**
 - **Buck converter**
 - **Load Switch**
 - **Level Shifter**
- **Product Roadmap**

MOS Solutions for Network

▶ POE (Active Bridge)

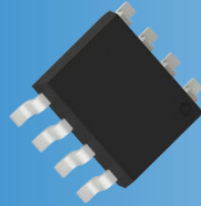


SOP-8

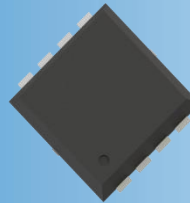


SOT-23

▶ POE (Primary Side)

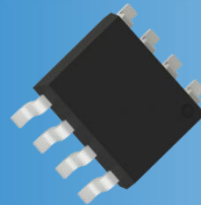


SOP-8

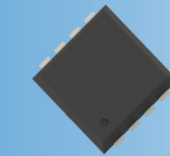


DFN56

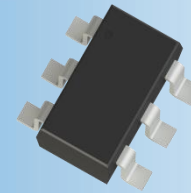
▶ POE (Active clamp)



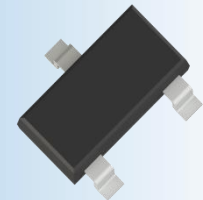
SOP-8



DFN33

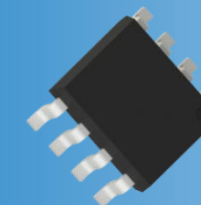


SOT-26

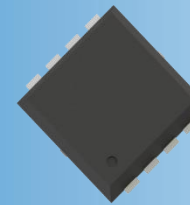


SOT-23

▶ POE (SR Side)



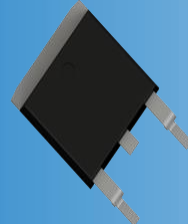
SOP-8



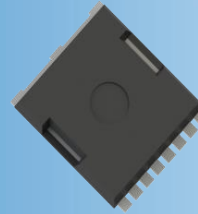
DFN56

MOS Solutions for Network

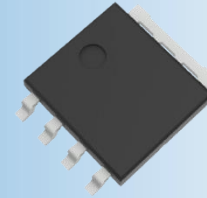
▶ Hot swap / OCP



TO-263

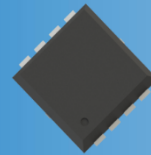


TOLL



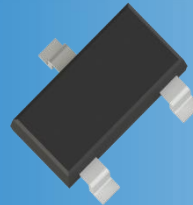
LFPAK56

▶ PSE

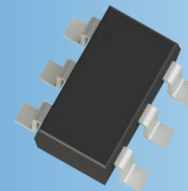


DFN33

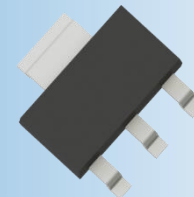
▶ VoIP



SOT-23

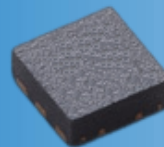


SOT-26

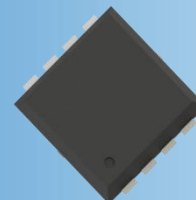


SOT-223

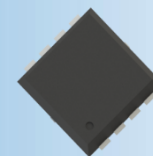
▶ Buck converter



DFN22



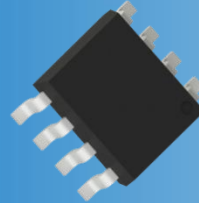
DFN56



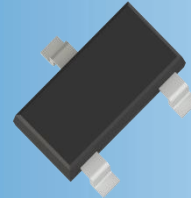
DFN33

MOS Solutions for Network

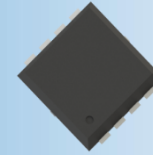
▶ Load switch



SOP-8

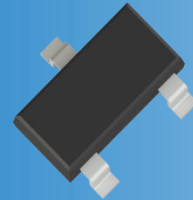


SOT-23

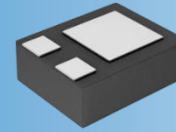


DFN33

▶ Level Shifter

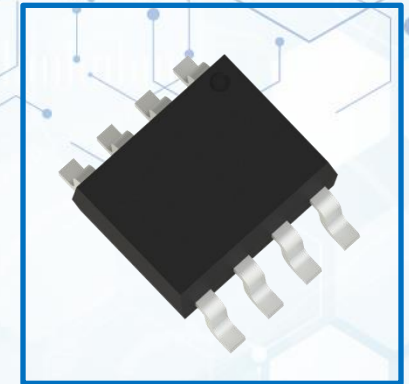
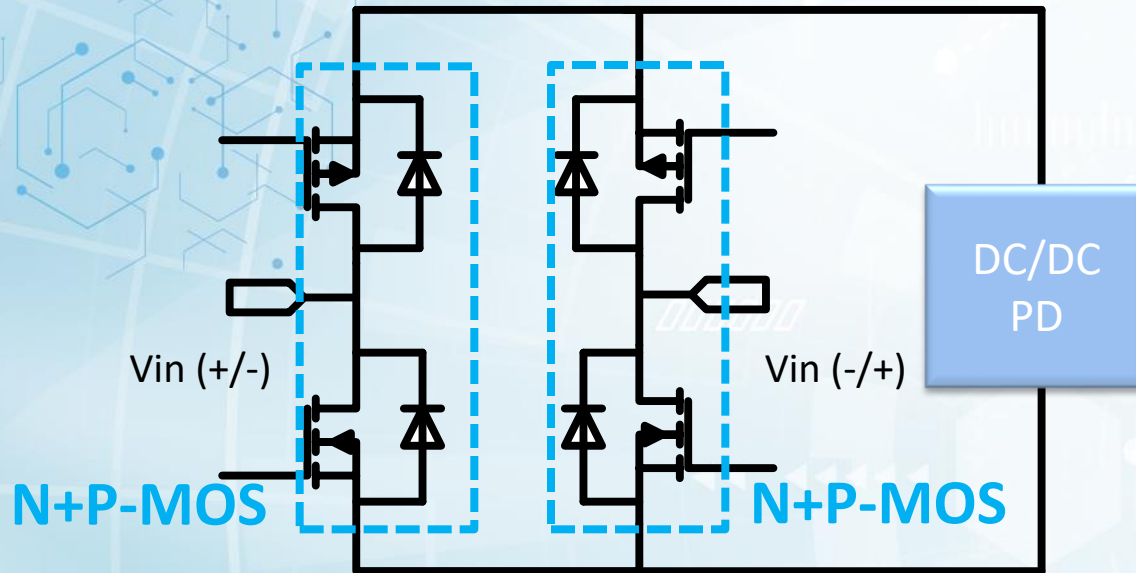


SOT-23



DFN1006

POE (Active Bridge)

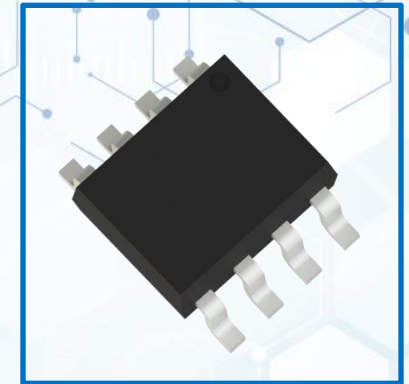
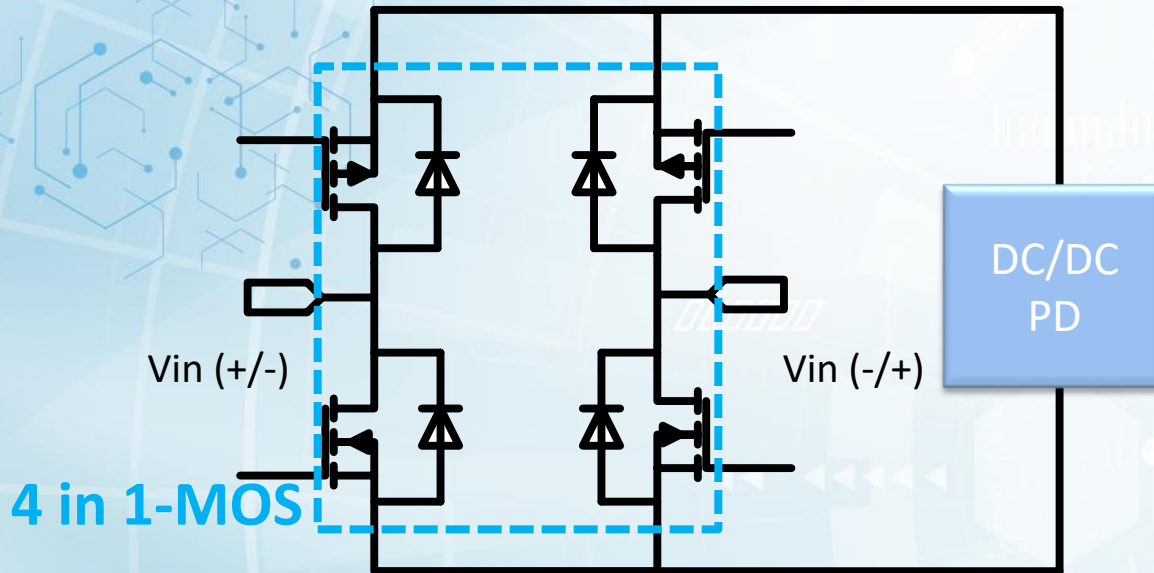


SOP-8 Dual (Code : Q8)

☆ : Common item

| Part Number | BVDSS (V) | ID (A) | Ron (mΩ) (10V) | Ron (mΩ) (4.5V) | Qg (nC) (10V) |
|-----------------|---------------------|---------------------|-------------------|--------------------|-------------------|
| MTD120C10KQ8 ☆ | 100 (N) -100 (P) | 2.1 (N) 2.5 (P) | 125 (N) 87 (P) | 136 (N) 103 (P) | 6.2 (N) 25 (P) |
| MTB090C10KRQ8 ☆ | 100 (N) -100 (P) | 2.9 (N) -2.1 (P) | 75 (N) 155 (P) | 97 (N) 183 (P) | 3.1 (N) 16 (P) |

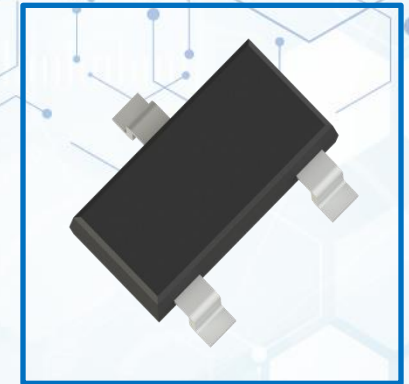
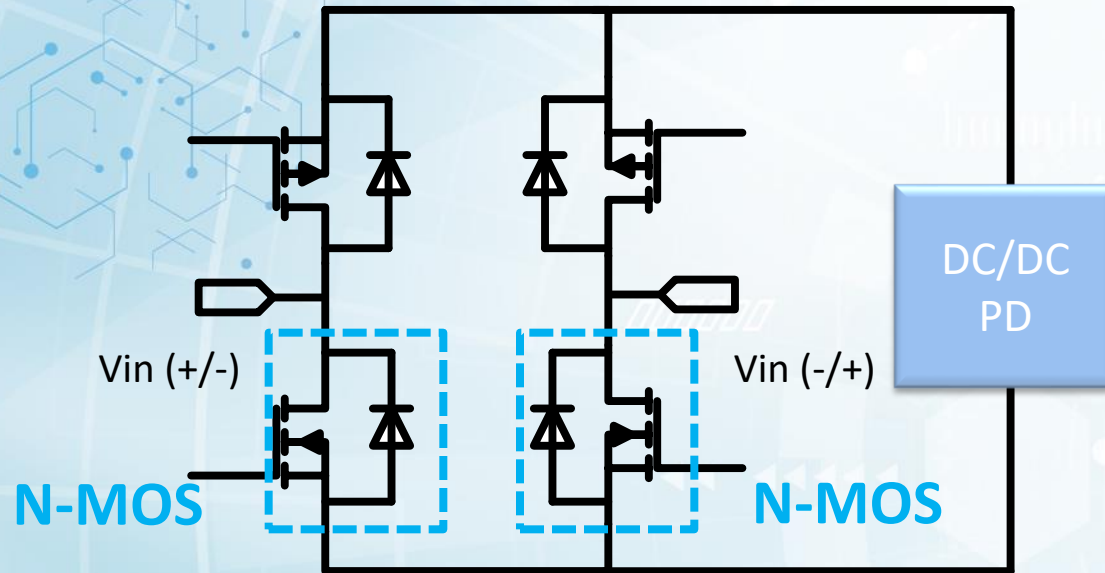
POE (Active Bridge)



SOP-8 Dual (Code : Q8)

| Part Number | BVDSS (V) | ID (A) | Ron (mΩ) (10V) | Ron (mΩ) (4.5V) | Qg (nC) (10V) |
|----------------|---------------------|--------------------|-------------------|--------------------|-------------------|
| MTB090Q10CKRQ8 | 100 (N) -100 (P) | 2.1 (N) 2.5 (P) | 125 (N) 87 (P) | 136 (N) 103 (P) | 6.2 (N) 25 (P) |

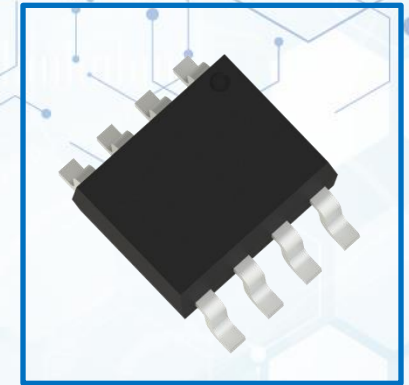
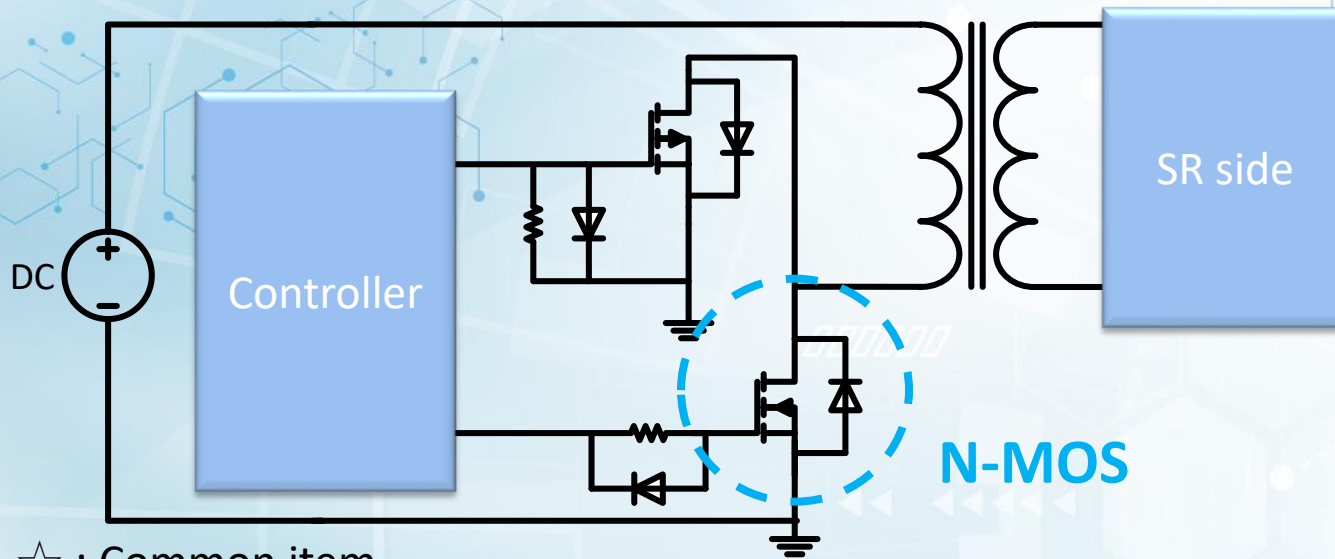
POE (Active Bridge)



SOT-23 (Code : N3)

| Part Number | BVDSS (V) | ID (A) | Ron (mΩ) (10V) | Ron (mΩ) (4.5V) | Qg (nC) (10V) |
|---------------|-----------|--------|-------------------|--------------------|------------------|
| MTE090N10KRN3 | 100 | 2 | 87 | - | 4.3 |

POE (Primary Side)



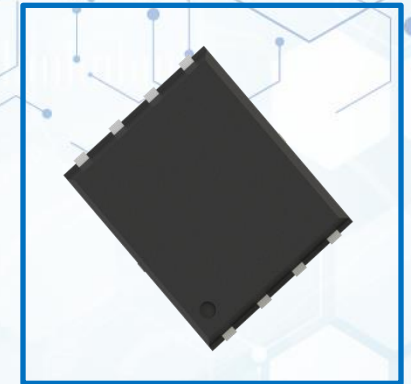
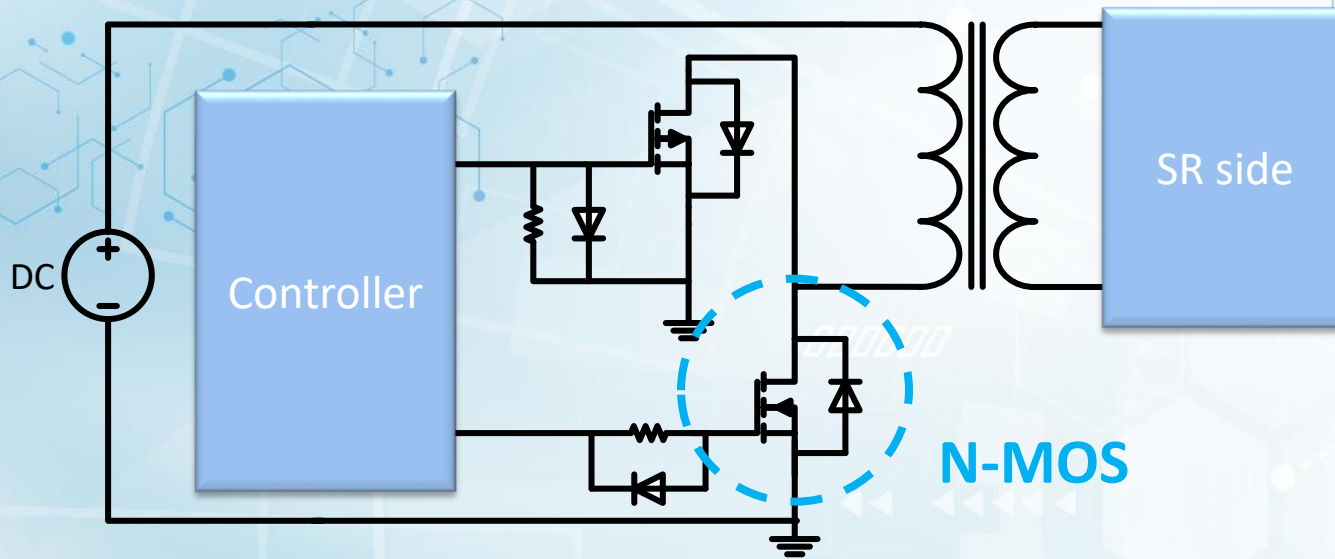
SOP-8 (Code : Q8)

☆ : Common item

* : Developing

| Part Number | BVDSS (V) | ID (A) | Ron (mΩ) (10V) | Ron (mΩ) (4.5V) | Qg (nC) (10V) |
|------------------------------------------|-----------|--------|-------------------|--------------------|------------------|
| MTE050N15CKRQ8 * | 150 | - | 50 | - | - |
| MTE040N15RQ8 ☆ (P2P SI4848DY) | 150 | 4.8 | 38 | - | 17 |
| MTE016N15RQ8 | 150 | 7.6 | 16 | - | 38 |

POE (Primary Side)

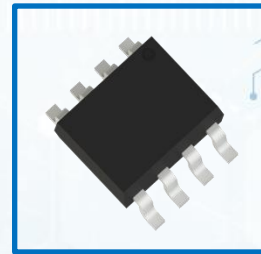
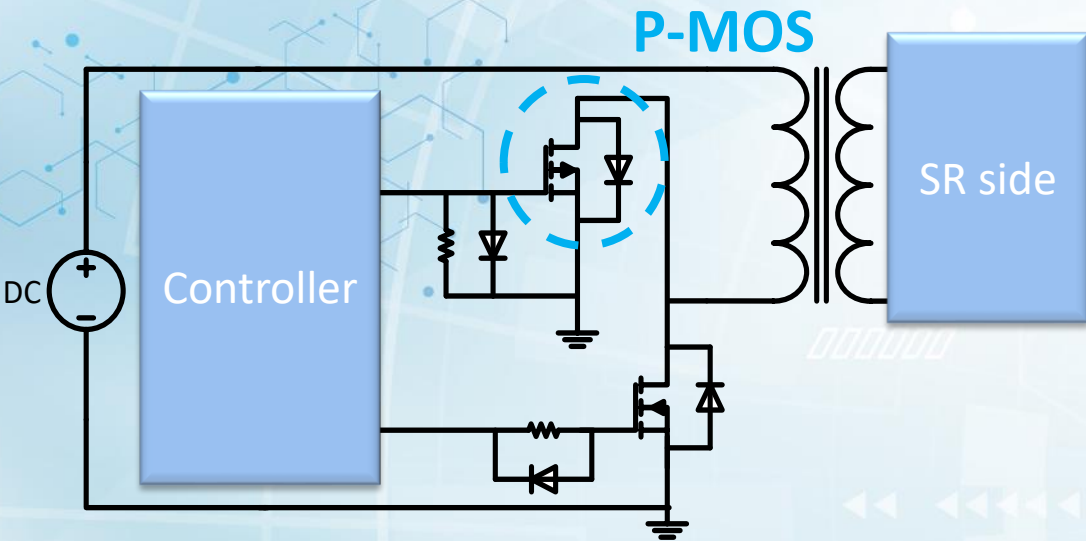


DFN5*6 (Code : H8)

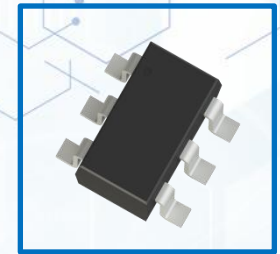
☆ : Common item

| Part Number | BVDSS (V) | ID (A) | Ron (mΩ) (10V) | Ron (mΩ) (4.5V) | Qg (nC) (10V) |
|----------------------------------------------|-----------|--------|-------------------|--------------------|------------------|
| MTE045N20RH8 | 200 | 4.5 | 42 | - | 31 |
| MTE100N15KRH8 | 150 | 3 | 90 | - | 8.4 |
| MTE040N15RH8 ☆ | 150 | 5 | 38 | - | 17 |
| MTE016N15RH8 ☆ (P2P BSC190N15NS3) | 150 | 6.7 | 15.5 | - | 38 |

POE (Active Clamp) I



SOP-8 (Code : Q8)

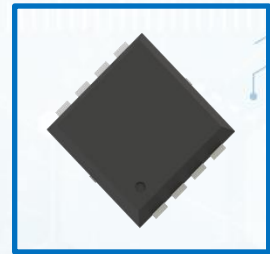
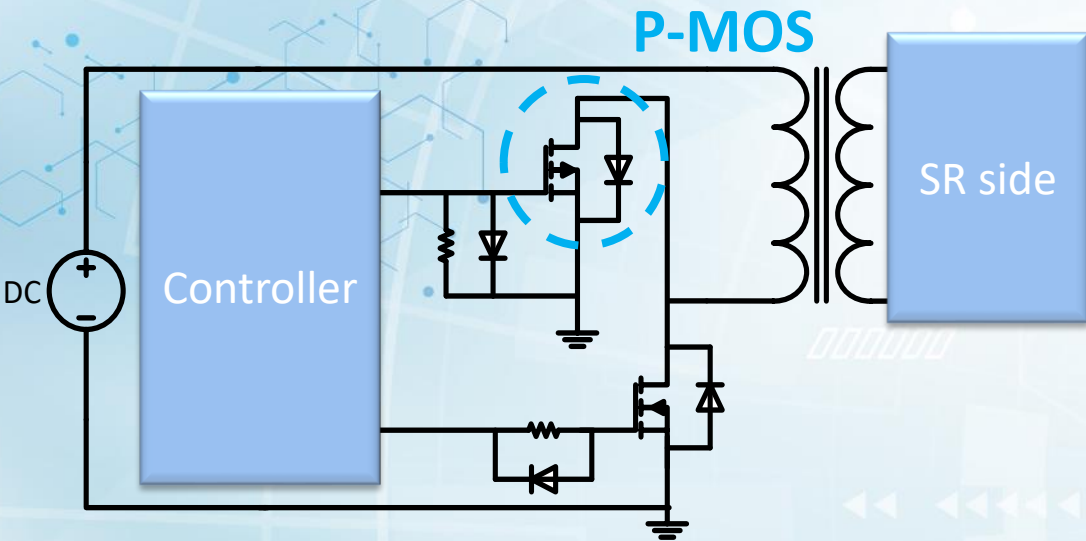


SOT-26 (Code : N6)

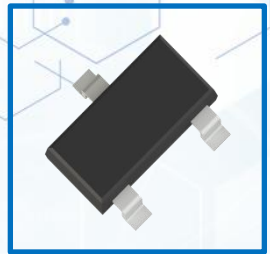
☆ : Common item

| Part Number | BVDSS (V) | ID (A) | Ron (mΩ) (10V) | Ron (mΩ) (4.5V) | Qg (nC) (10V) |
|---------------|-----------|--------|-------------------|--------------------|------------------|
| MTE800P15Q8 | -150 | -2 | 800 | - | 6.9 |
| MTE800P15N6 ☆ | -150 | -0.85 | 800 | - | 6.9 |

POE (Active Clamp) II



DFN3*3 (Code : V8)

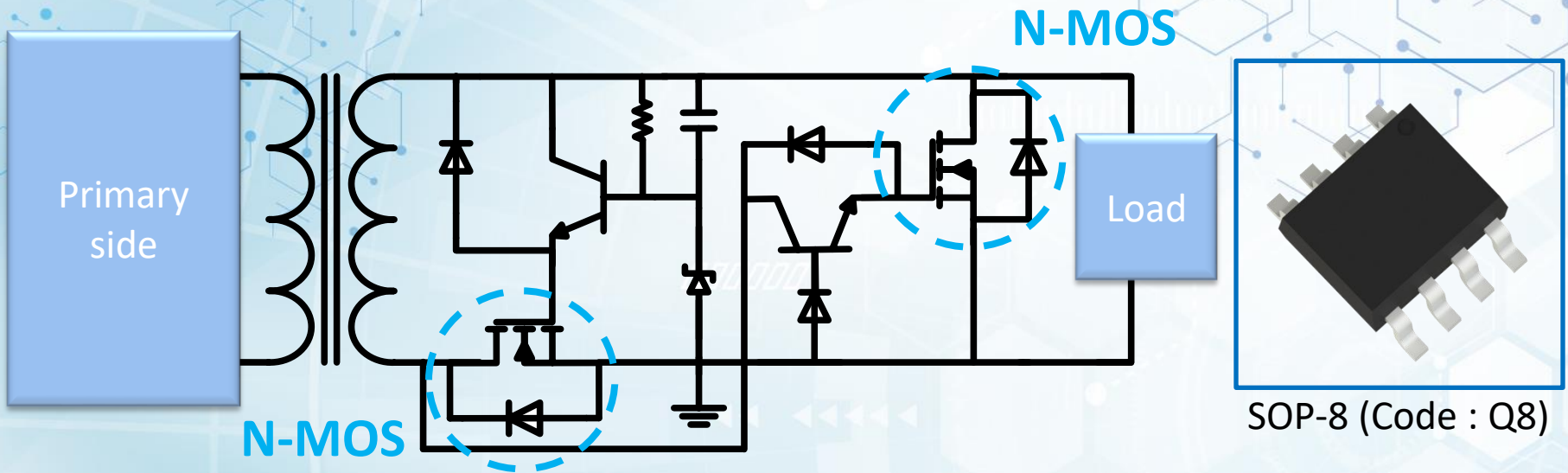


SOT-23 (Code : N3)

☆ : Common item

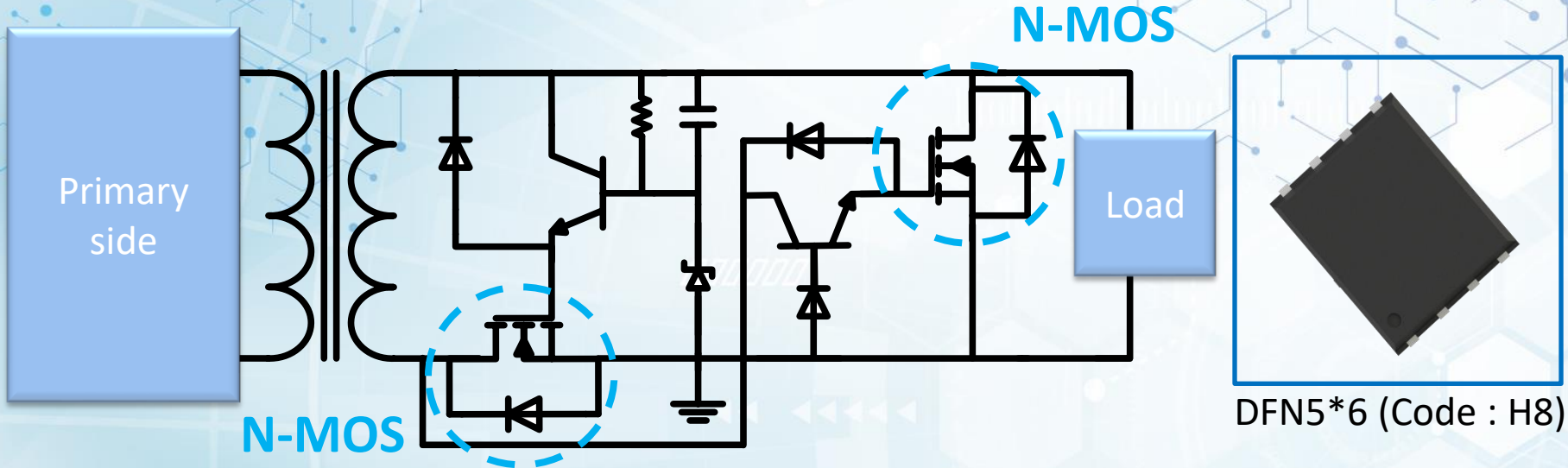
| Part Number | BVDSS (V) | ID (A) | Ron (mΩ) (10V) | Ron (mΩ) (4.5V) | Qg (nC) (10V) |
|----------------------------------------|-----------|--------|-------------------|--------------------|------------------|
| MTE850P15V8 (P2P FDMC2523P) | -150 | -1 | 820 | - | 6.8 |
| MTE100P15RV8 | -150 | -2.9 | 96 | - | 21 |
| MTE800P15N3 ☆ | -150 | -0.77 | 800 | - | 6.8 |

POE (SR Side) for 12Vout



| Part Number | BVDSS (V) | ID (A) | Ron (mΩ) (10V) | Ron (mΩ) (4.5V) | Qg (nC) (10V) |
|---------------|-----------|--------|-------------------|--------------------|------------------|
| MTE013N10BRQ8 | 100 | 7.7 | 12.5 | - | 14 |
| MTB013N10BRQ8 | 100 | 9.5 | 9.5 | 15 | 29 |
| MTE8D5N10RQ8 | 100 | 10 | 8.1 | - | 35 |
| MTB7D5N10RQ8 | 100 | 10 | 7 | 10.8 | 47 |

POE (SR Side) for 5Vout



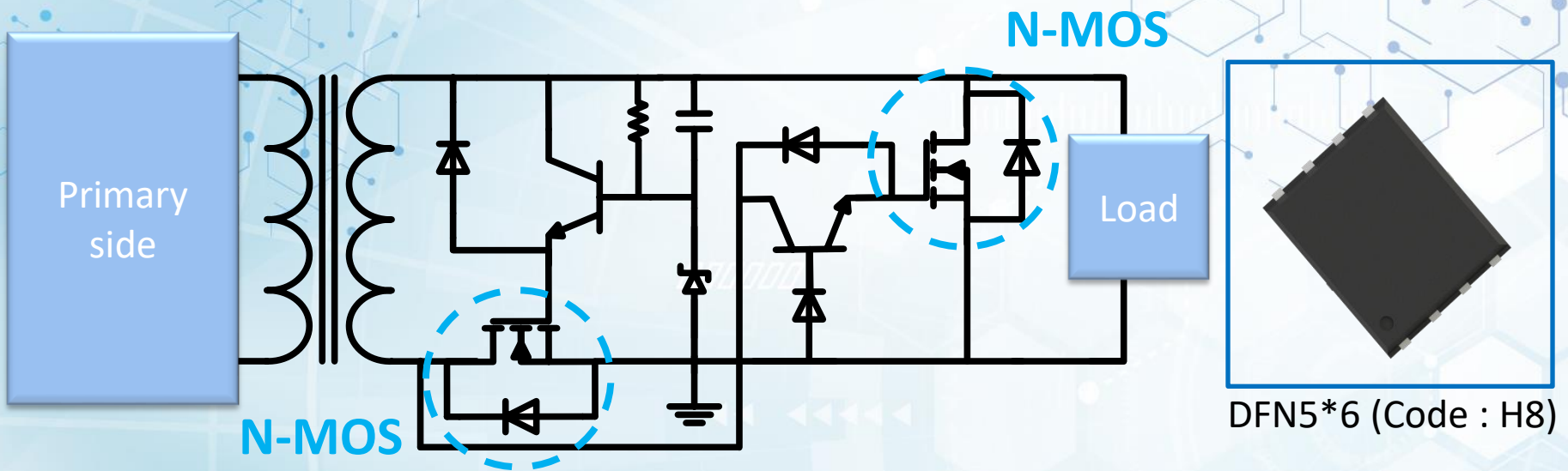
DFN5*6 (Code : H8)

☆ : Common item

| Part Number | BVDSS (V) | ID (A) | Ron (mΩ) (10V) | Ron (mΩ) (4.5V) | Qg (nC) (10V) |
|----------------|-----------|--------|-------------------|--------------------|------------------|
| MTB3D6N04RH8 ☆ | 40 | 23 | 3 | 4.2 | 27 |
| MTB010N06RH8 | 60 | 10 | 11 | 16 | 20 |

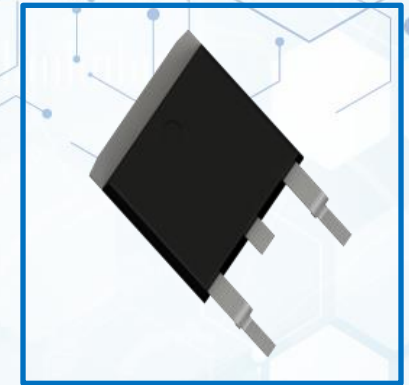
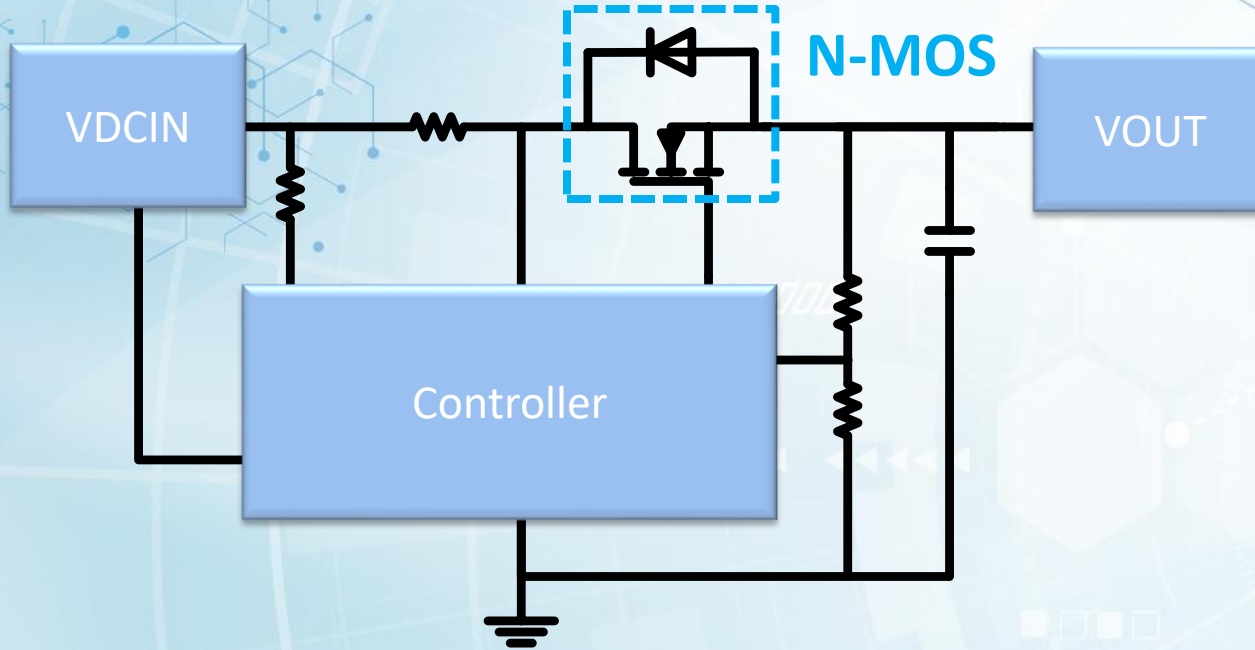


POE (SR Side) for 12Vout



| Part Number | BVDSS (V) | ID (A) | Ron (mΩ) (10V) | Ron (mΩ) (4.5V) | Qg (nC) (10V) |
|--------------|-----------|--------|-------------------|--------------------|------------------|
| MTE9D2N10XH8 | 100 | 11.4 | 8.3 | - | 27 |
| MTE7D0N10XH8 | 100 | 13 | 6.9 | - | 32 |
| MTB7D0N10XH8 | 100 | 13 | 6.4 | 9.5 | 40 |
| MTE4D8N10XH8 | 100 | 13 | 5 | - | 48 |

Hot swap / OCP

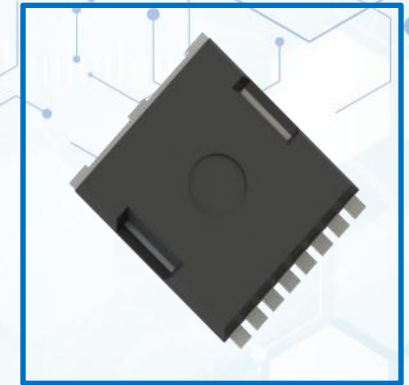
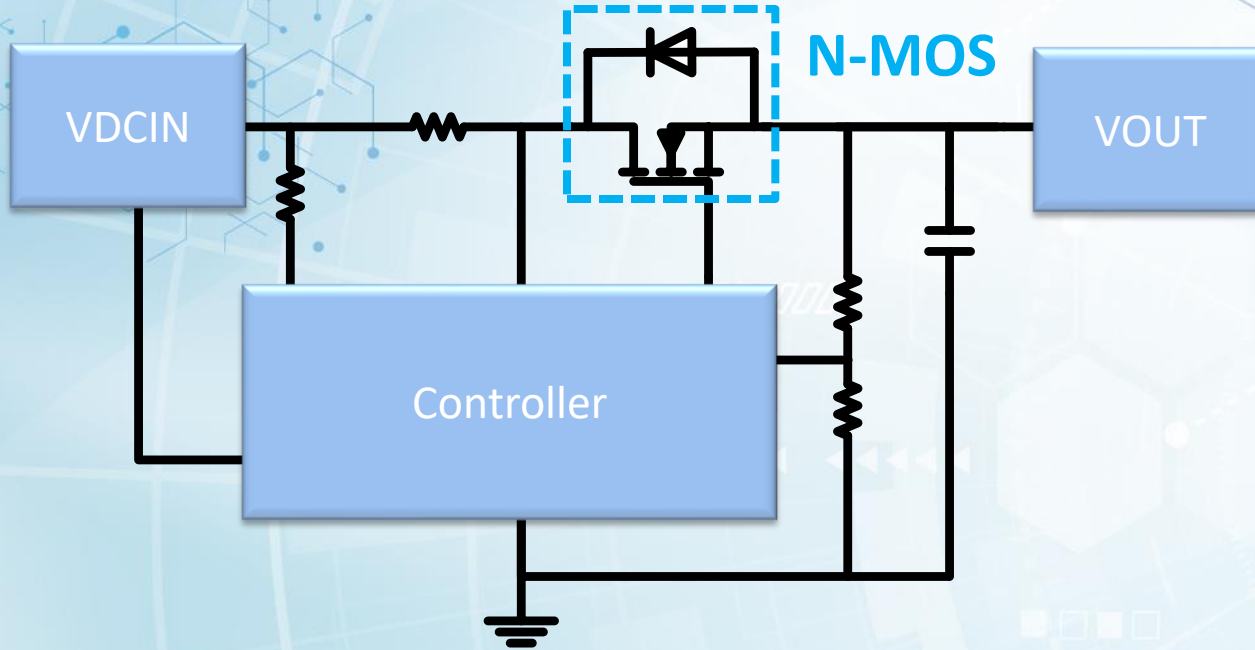


TO-263 (Code : F3)

* : Developing

| Part Number | BVDSS (V) | ID (A) | Ron (mΩ) (10V) | Ron (mΩ) (4.5V) | Qg (nC) (10V) |
|----------------|-----------|--------|-------------------|--------------------|------------------|
| MSE5D0N15RF3 * | 150 | - | 5 | - | - |
| MSE3D5N15RF3 | 150 | 17 | 4.4 | - | 142 |
| MSE2D0N10RF3 * | 100 | - | 2 | - | - |

Hot swap / OCP

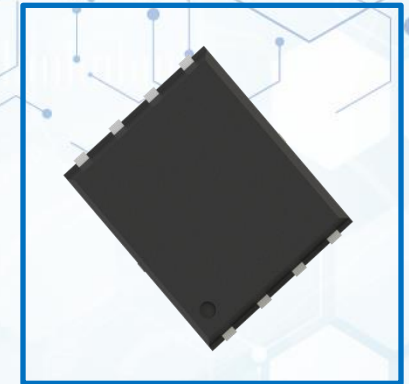
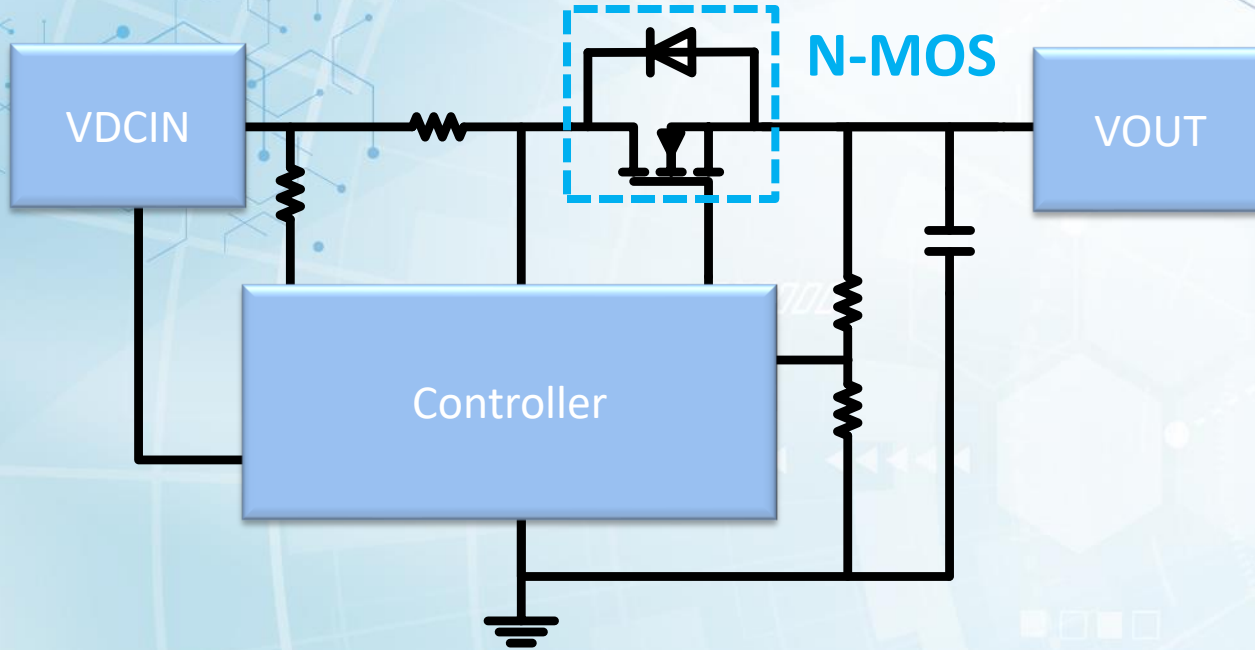


TOLL (Code : TL8)

* : Developing

| Part Number | BVDSS (V) | ID (A) | Ron (mΩ) (10V) | Ron (mΩ) (4.5V) | Qg (nC) (10V) |
|-----------------|-----------|--------|-------------------|--------------------|------------------|
| MTE2D0N10RTL8 | 100 | 30 | 2 | - | 124 |
| MSE3D5N15RTL8 * | 150 | - | 3.5 | - | - |

Hot swap / OCP

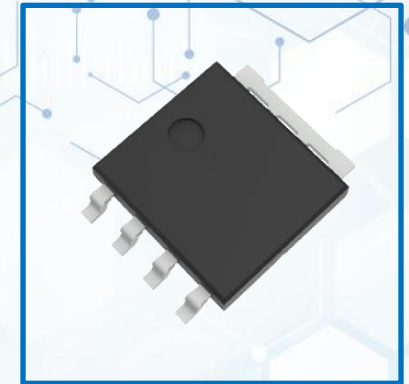
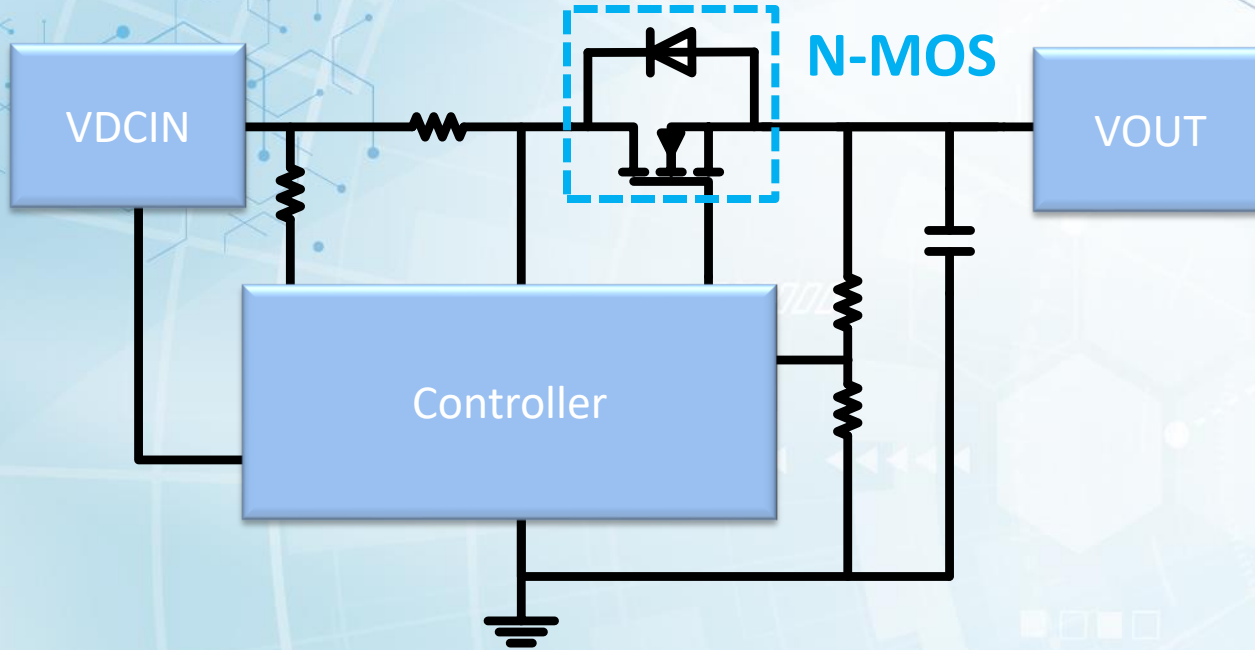


DFN5*6 (Code : H8)

* : Developing

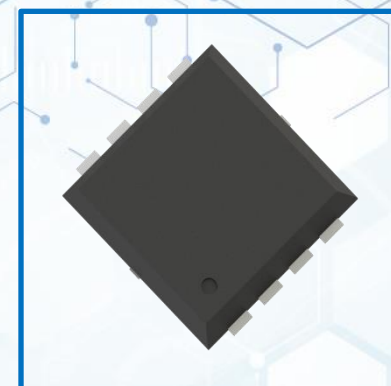
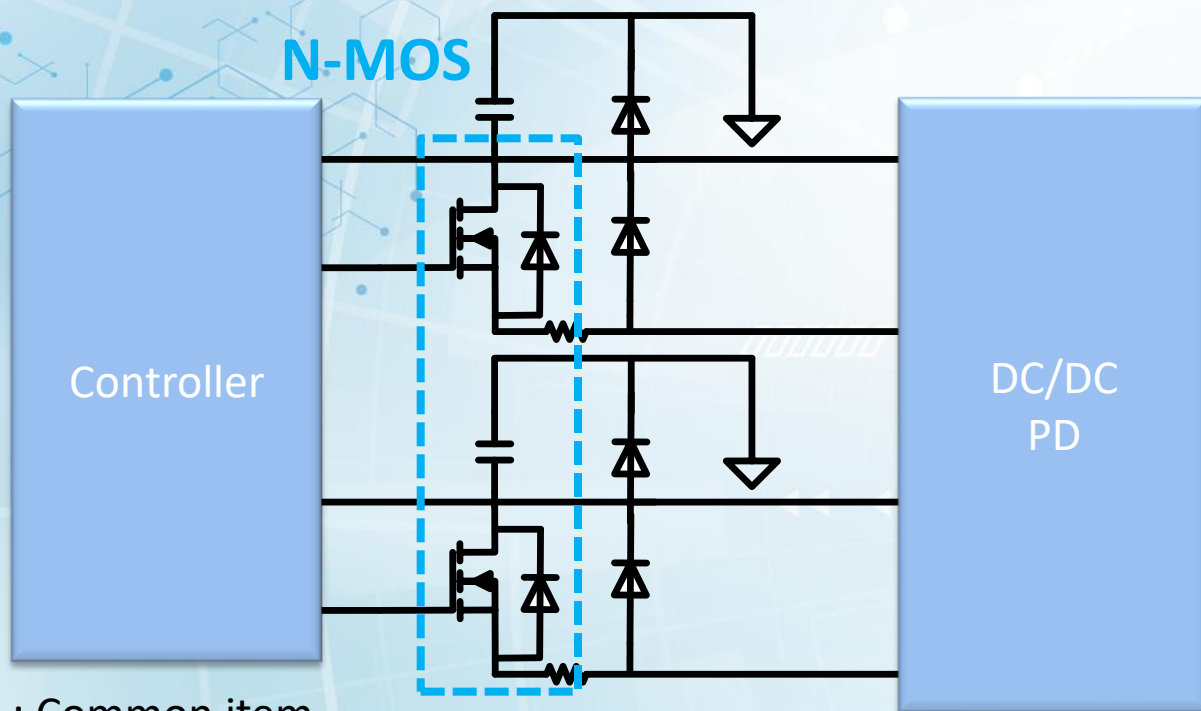
| Part Number | BVDSS (V) | ID (A) | Ron (mΩ) (10V) | Ron (mΩ) (4.5V) | Qg (nC) (10V) |
|----------------|-----------|--------|-------------------|--------------------|------------------|
| MSE5D0N10RH8 * | 100 | - | 5 | - | - |

Hot swap / OCP



LFPAK56 (Code : LH5)

| Part Number | BVDSS (V) | ID (A) | Ron (mΩ) (10V) | Ron (mΩ) (4.5V) | Qg (nC) (10V) |
|----------------------------------------------|-----------|--------|-------------------|--------------------|------------------|
| MTB0D8N03RCLH5 (P2P PSMN1R3-30YL) | 30 | 41 | 0.65 | 0.9 | 97 |



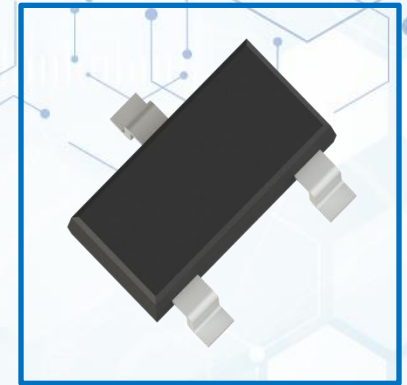
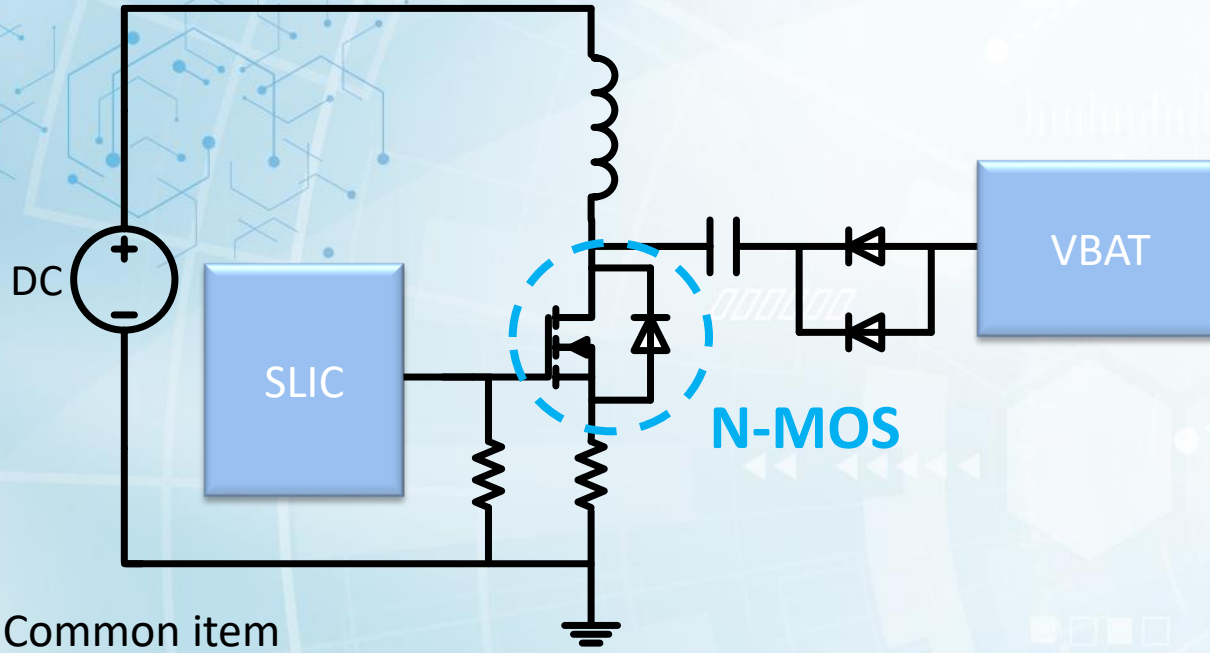
DFN3*3 (Code : V8)

☆ : Common item

* : Developing

| Part Number | BVDSS (V) | ID (A) | Ron (mΩ) (10V) | Ron (mΩ) (4.5V) | Qg (nC) (10V) |
|-----------------|-----------|--------|-------------------|--------------------|------------------|
| MTE020N10BRV8 ☆ | 100 | 5.5 | 25 | - | 13 |
| MSE035N10RV8 * | 100 | - | 50 | - | - |

VoIP

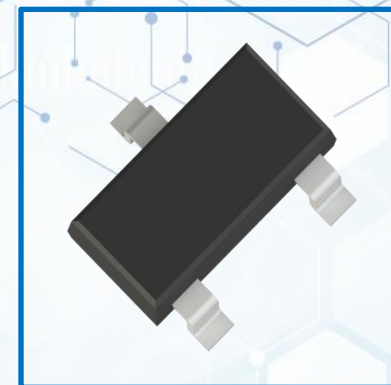
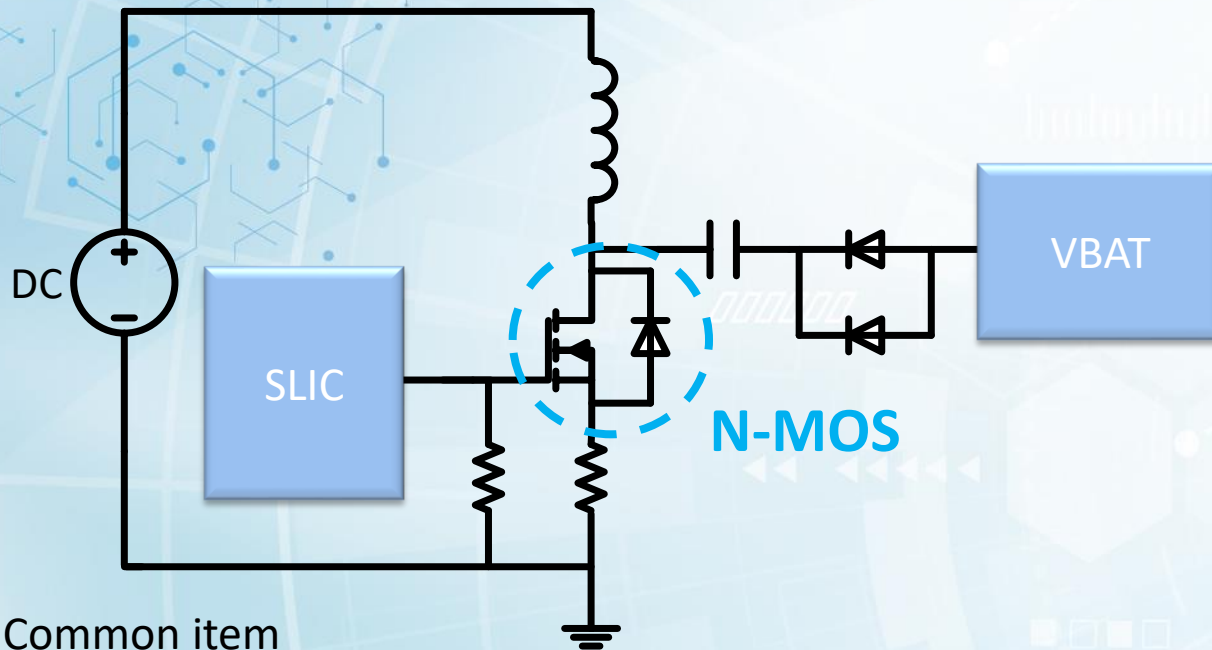


SOT-23 (Code : N3)

☆ : Common item

| Part Number | BVDSS (V) | ID (A) | Ron (mΩ) (10V) | Ron (mΩ) (4.5V) | Qg (nC) (10V) |
|-----------------|-----------|--------|-------------------|--------------------|------------------|
| MTB180N06KSN3 ☆ | 60 | 1.3 | 180 | 202 | 4.1 |
| MTB090N06N3 ☆ | 60 | 2.2 | 75 | 85 | 9 |
| MTB045N06KRN3 | 60 | 2.5 | 50 | 64 | 4.8 |

VoIP

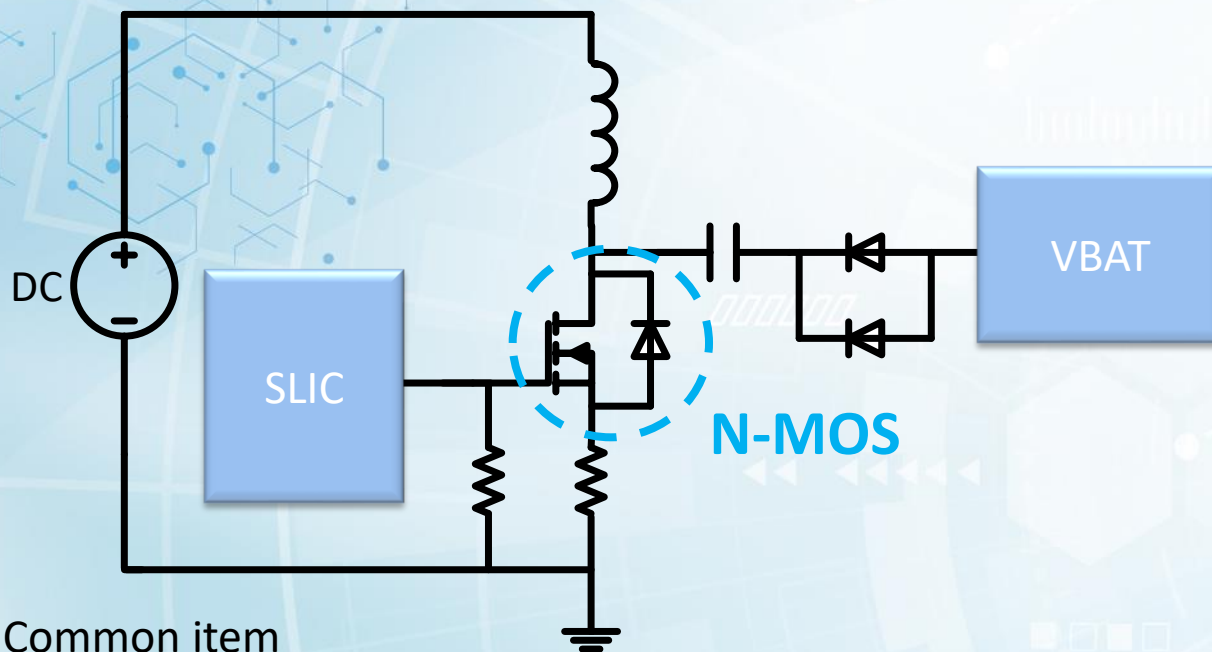


SOT-23 (Code : N3)

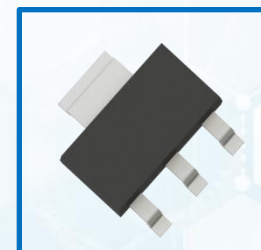
☆ : Common item

| Part Number | BVDSS (V) | ID (A) | Ron (mΩ) (10V) | Ron (mΩ) (4.5V) | Qg (nC) (10V) |
|-----------------|-----------|--------|-------------------|--------------------|------------------|
| BSS123N3 ☆ | 100 | 1.1 | 330 | 350 | 9.4 |
| MTB095N10KRN3 ☆ | 100 | 2.3 | 100 | 140 | 3.6 |
| MTB085N10KRN3 | 100 | 2.4 | 80 | 100 | 4.2 |

VoIP



SOT-26 (Code : N6)

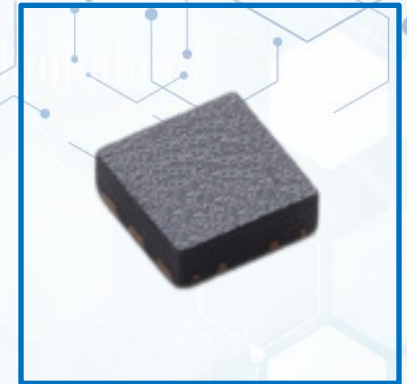
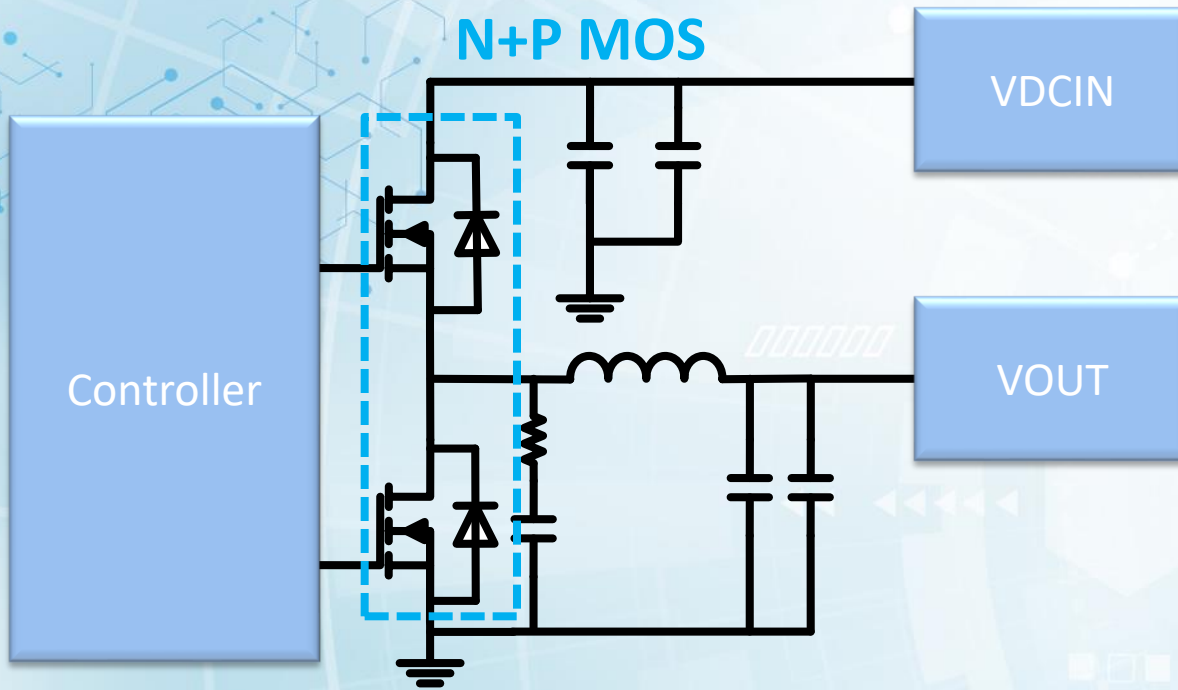


SOT-223 (Code : L3)

☆ : Common item

| Part Number | BVDSS (V) | ID (A) | Ron (mΩ) (10V) | Ron (mΩ) (4.5V) | Qg (nC) (10V) |
|---------------|-----------|--------|-------------------|--------------------|------------------|
| MTB280N15L3 ☆ | 150 | 4.4 | 260 | 270 | 8.5 |
| MTN3440N6 ☆ | 150 | 1.5 | 245 | - | 6 |
| MTB045N06KRL3 | 60 | 4.3 | 46 | 62 | 4.8 |

Buck converter

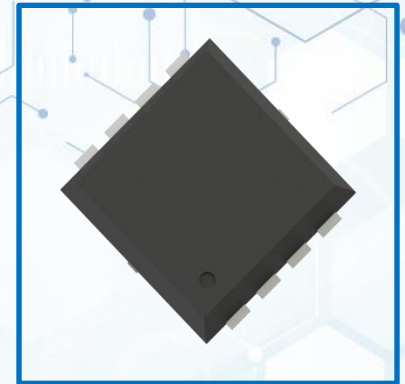
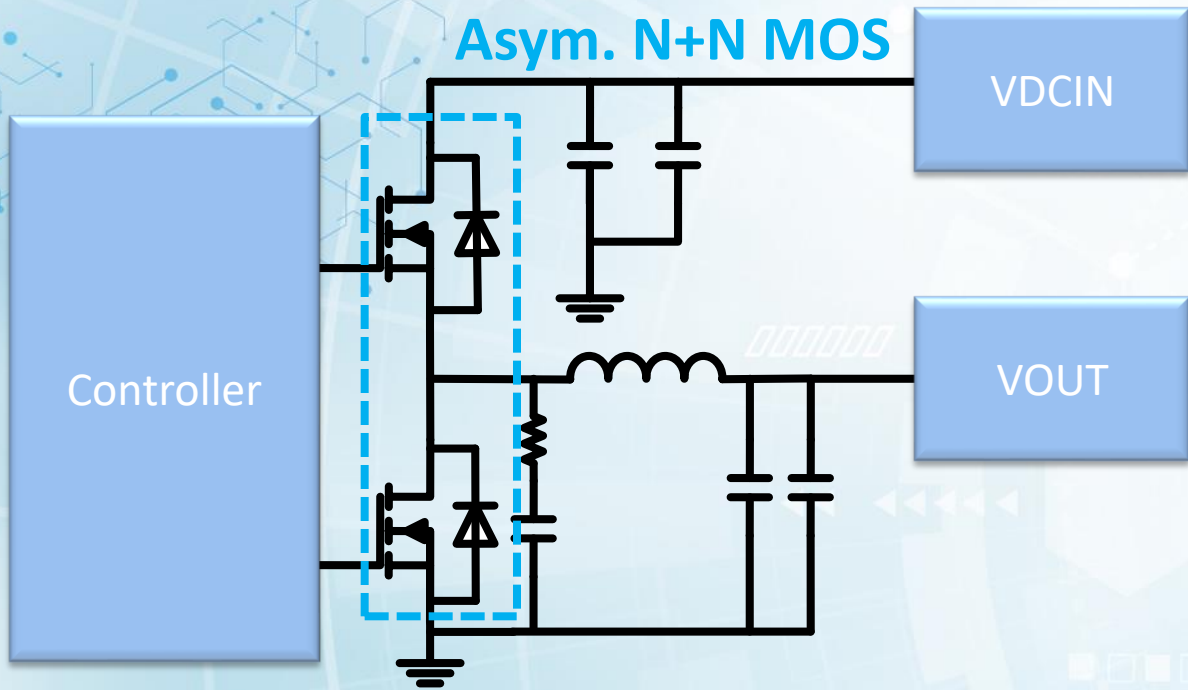


DFN2x2-6L (Code : DFA6)

☆ : Common item

| Part Number | BVDSS (V) | ID (A) | Ron (mΩ) (10V) | Ron (mΩ) (4.5V) | Qg (nC) (10V) |
|----------------|-------------------|---------------------|-------------------|--------------------|------------------|
| MTC3588CDFA6 ☆ | 14 (N) -14 (P) | 6.5 (N) -4.5 (P) | 17 (N) 38 (P) | 20 (N) 50 (P) | 6.7 (N) 8 (P) |

Buck converter

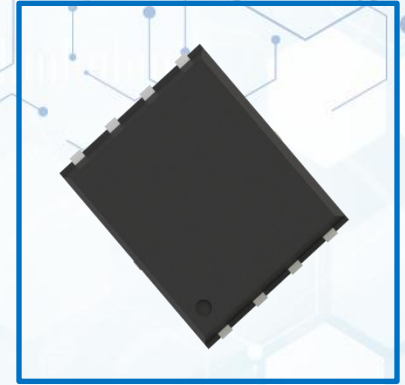
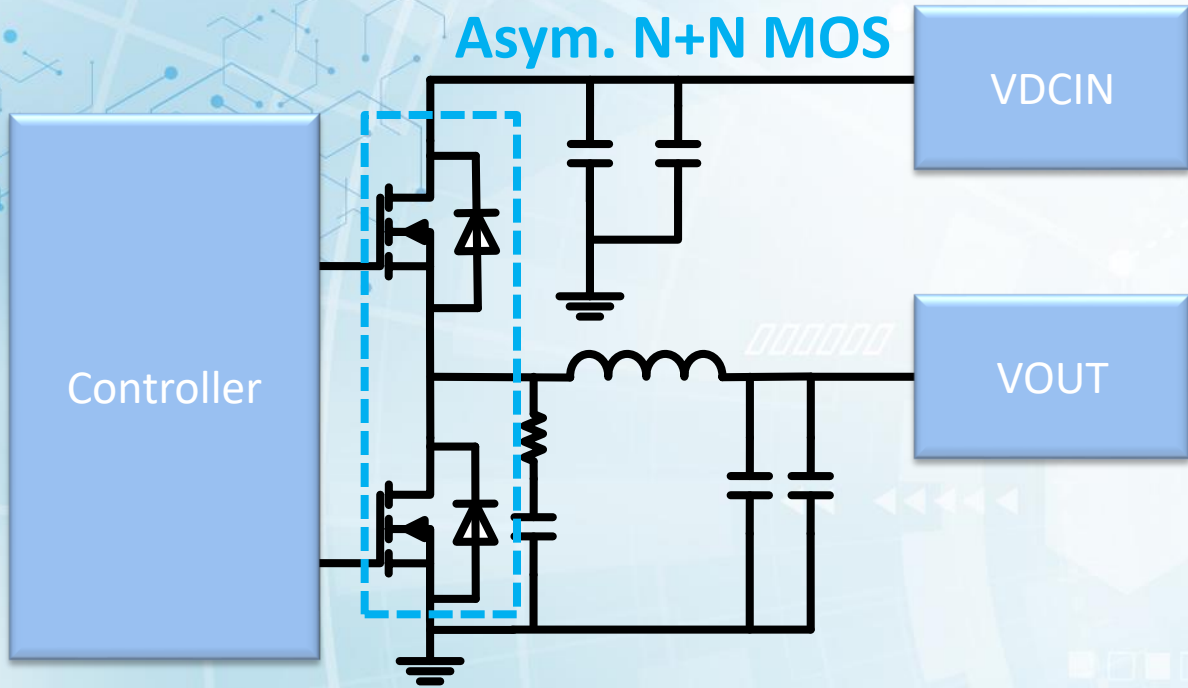


DFN3*3 (Code : V8)

☆ : Common item

| Part Number | BVDSS (V) | ID (A) | Ron (mΩ) (10V) | Ron (mΩ) (4.5V) | Qg (nC) (10V) |
|------------------|-----------|----------------------|----------------------|-------------------------|------------------------|
| MTNN080803RSV8 ☆ | 30 | 10 | 7.1 | 10 | 11 |
| MTNN080603RSV8A | 30 | 12 (Tr1) 15 (Tr2) | 7.3 (Tr1) 5 (Tr2) | 11.5 (Tr1) 7.5 (Tr2) | 10.5 (Tr1) 14 (Tr2) |

Buck converter

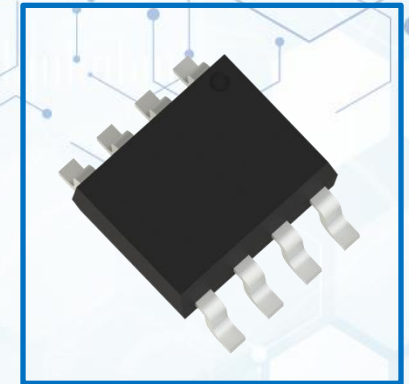
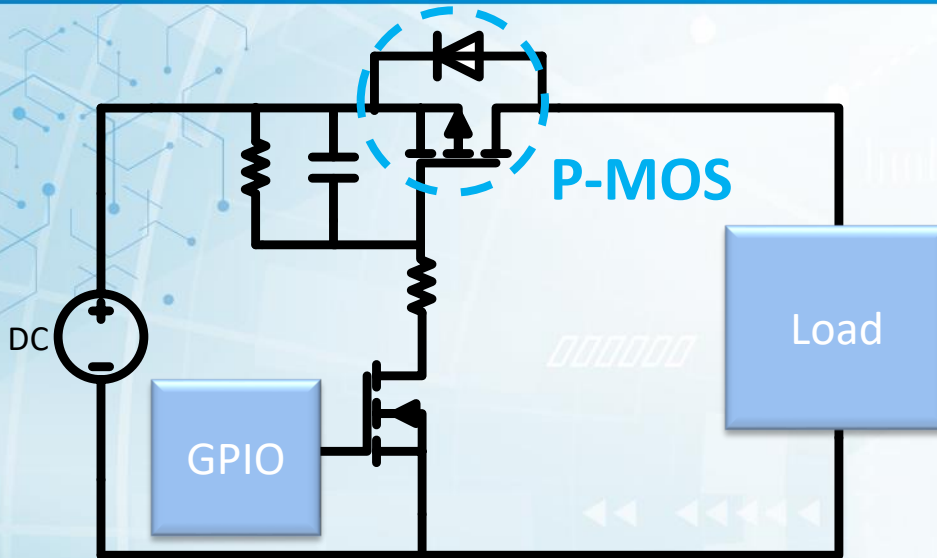


DFN5*6 (Code : H8)

☆ : Common item

| Part Number | BVDSS (V) | ID (A) | Ron (mΩ) (10V) | Ron (mΩ) (4.5V) | Qg (nC) (10V) |
|-----------------|-----------|----------------------|------------------------|------------------------|----------------------|
| MTX582803RCH8 ☆ | 30 | 15 (Tr1) 26 (Tr2) | 4.6 (Tr1) 2.3 (Tr2) | 7.2 (Tr1) 3.5 (Tr2) | 14 (Tr1) 28 (Tr2) |
| MTX582003RCH8 | 30 | 16 (Tr1) 35 (Tr2) | 4.6 (Tr1) 1.2 (Tr2) | 7.2 (Tr1) 1.8 (Tr2) | 14 (Tr1) 48 (Tr2) |

Load Switch

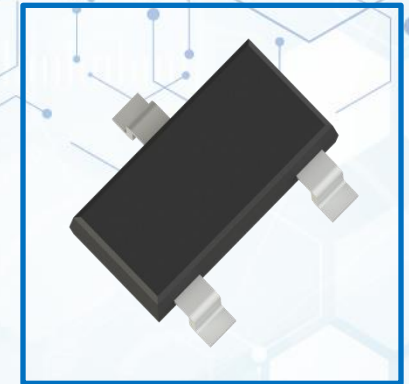
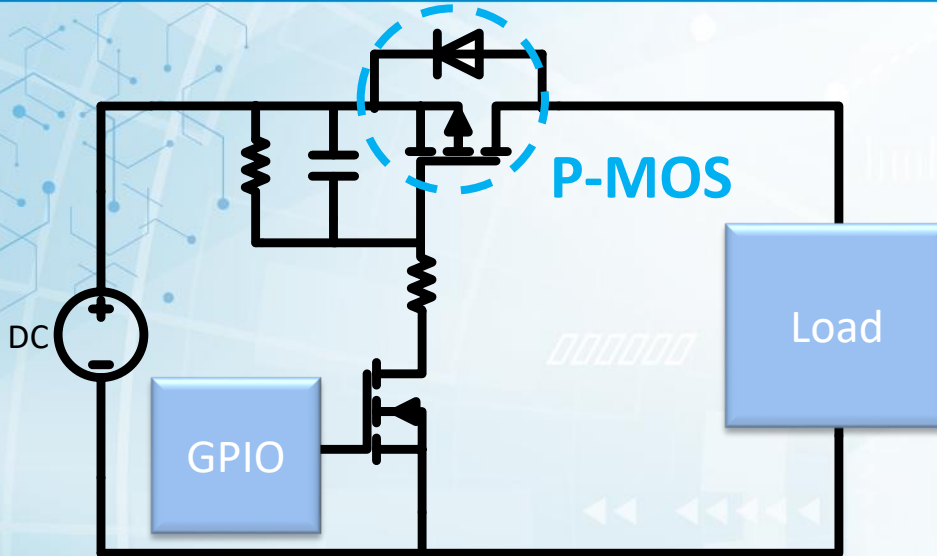


SOP-8 (Code : Q8)

☆ : Common item

| Part Number | BVDSS (V) | ID (A) | Ron (mΩ) (10V) | Ron (mΩ) (4.5V) | Qg (nC) (10V) |
|--------------|-----------|--------|-------------------|--------------------|------------------|
| MTB032P06Q8 | -60 | -5.3 | 34 | 49 | 26 |
| MTP4411AQ8 ☆ | -30 | -5.3 | 30 | 43 | 14.2 |
| MTP4435AQ8 ☆ | -30 | -12.3 | 12.3 | 17.5 | 32.9 |
| MTB5D0P03Q8 | -30 | -15 | 3.7 | 5.1 | 110 |

Load Switch

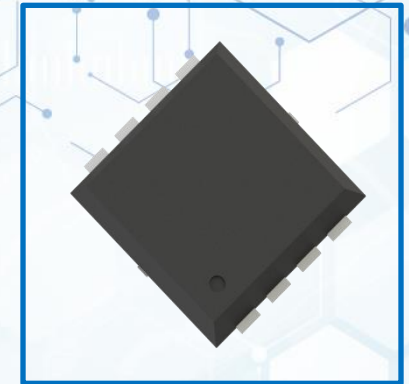
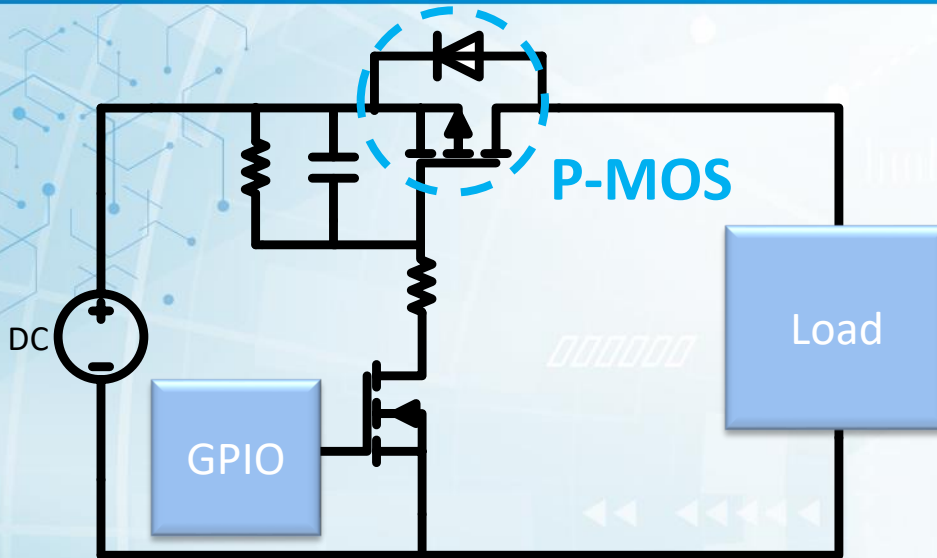


SOT-23 (Code : N3)

☆ : Common item

| Part Number | BVDSS (V) | ID (A) | Ron (mΩ) (10V) | Ron (mΩ) (4.5V) | Qg (nC) (10V) |
|----------------|-----------|--------|-------------------|--------------------|------------------|
| MTA080P01SN3 ☆ | -14 | -2.7 | 90 | 190 | 5.3 |
| MTA50P01SN3 ☆ | -14 | -4.3 | 42.3 | 62.9 | 7.7 |
| MTB040P03SN3 | -30 | -3.3 | 35 | 72 | 10.5 |
| MTB035P03N3 | -30 | -4.5 | 29 | 42 | 21 |

Load Switch

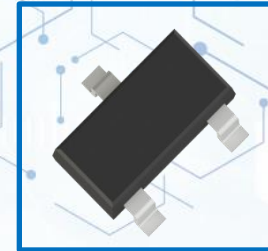
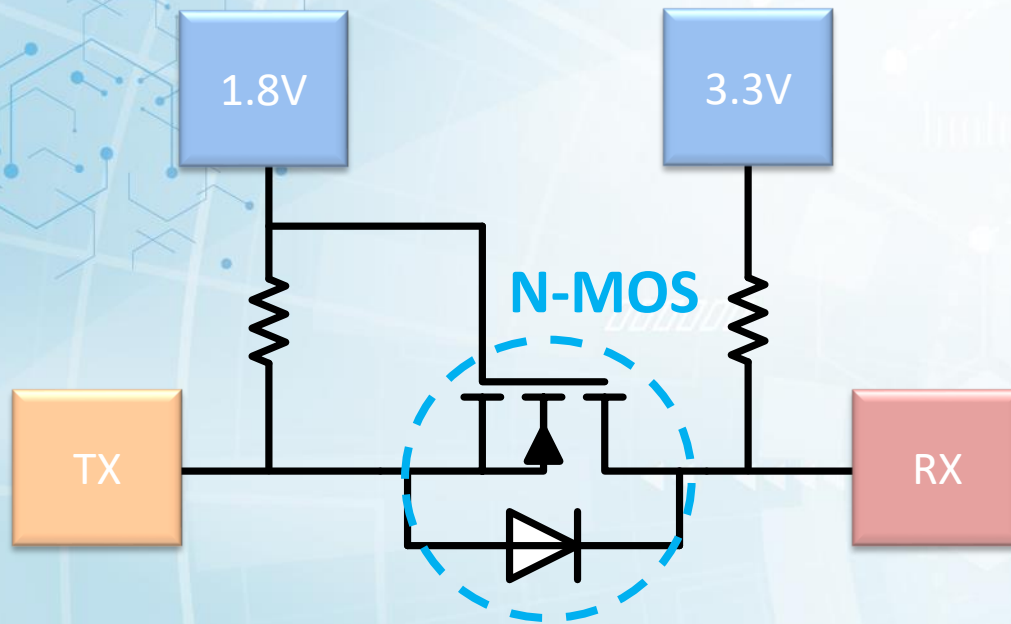


DFN3*3 (Code : V8)

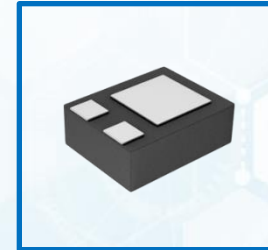
☆ : Common item

| Part Number | BVDSS (V) | ID (A) | Ron (mΩ) (10V) | Ron (mΩ) (4.5V) | Qg (nC) (10V) |
|---------------|-----------|--------|-------------------|--------------------|------------------|
| MTP4435BV8 ☆ | -30 | -8 | 13 | - | 36 |
| MTB9D0P03V8 ☆ | -30 | -8.5 | 9 | 13 | 53 |
| MTB5D5P03V8 | -30 | -11 | 5.3 | 9.4 | 85 |

Level Shifter (1.8V ↔ 3.3V)



SOT-23 (Code : N3)

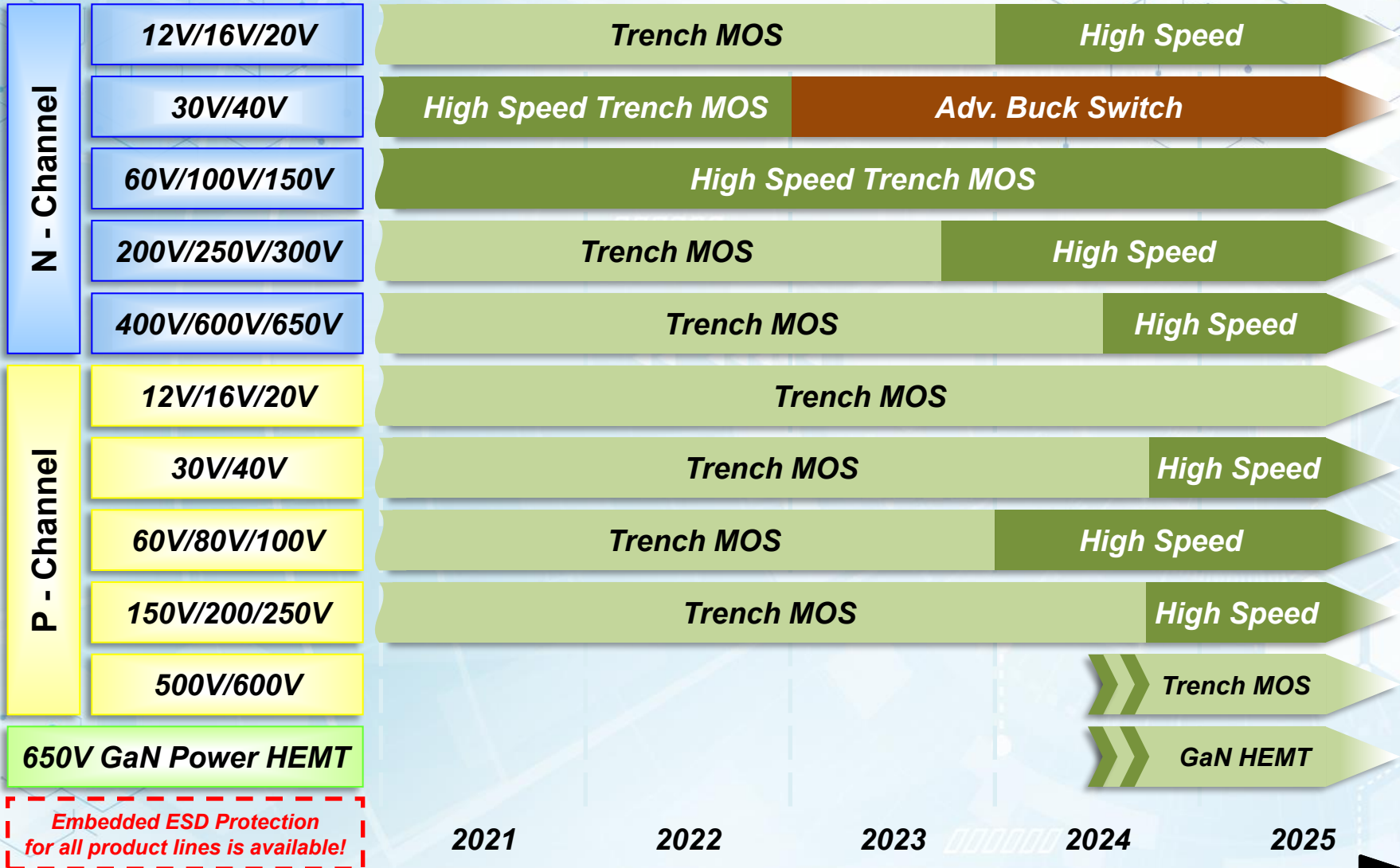


WBFBP-03E (Code : FE)

☆ : Common item

| Part Number | BVDSS (V) | ID (A) | Ron (mΩ) (2.5V) | Ron (mΩ) (1.8V) | Vth (V) |
|-------------|-----------|--------|--------------------|--------------------|-----------|
| MTAK9N3 ☆ | 20 | 0.67 | 320 | 400 | 0.3 (1.2) |
| MTAK9FE ☆ | 20 | 1.4 | 300 | 400 | 0.3 (1.2) |

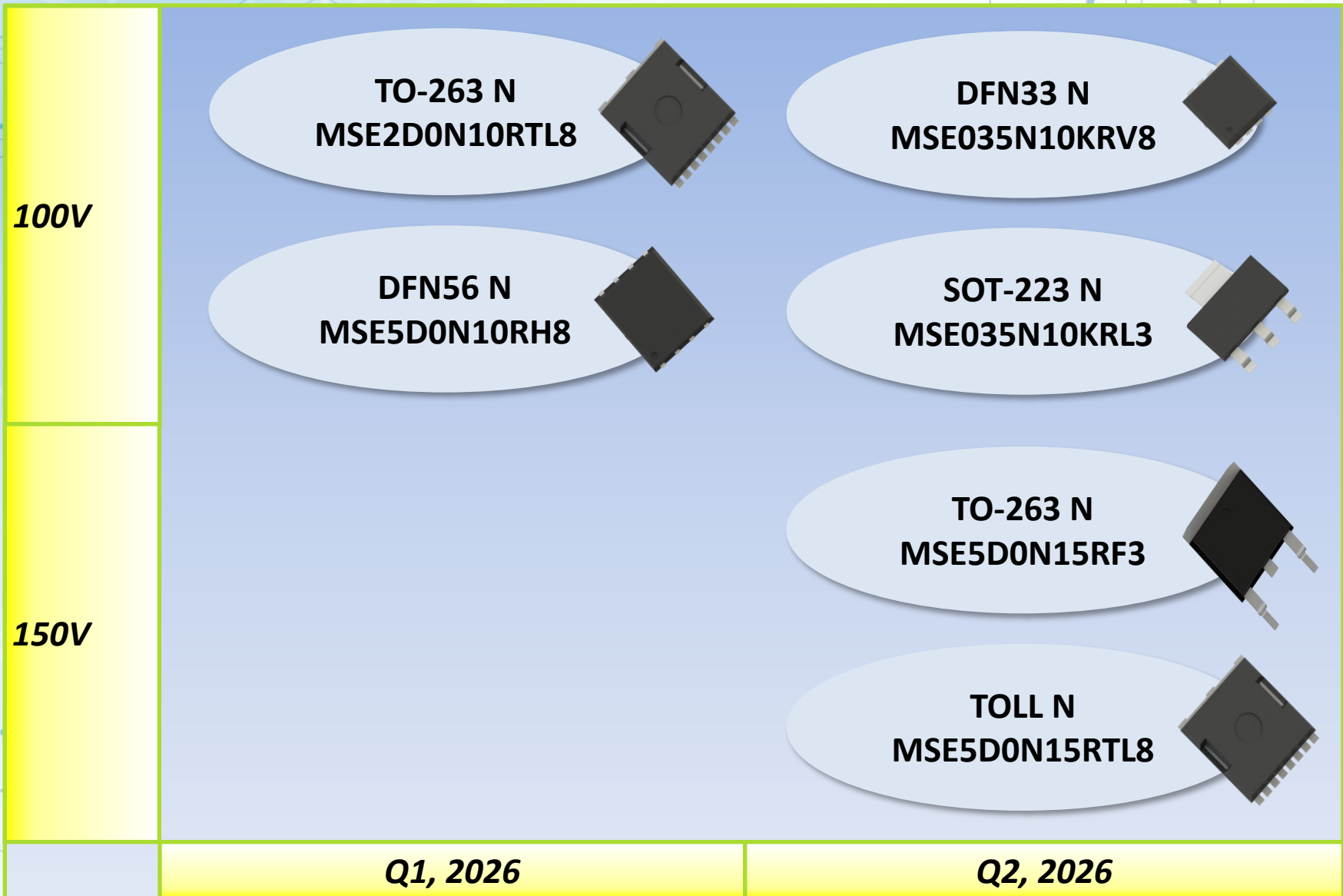
Product Roadmap (MOS)



Embedded ESD Protection for all product lines is available!

2021 2022 2023 2024 2025

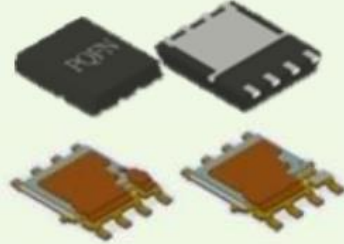
Product Roadmap (MOS)



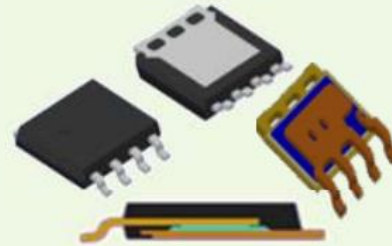
Product Roadmap (PKG)



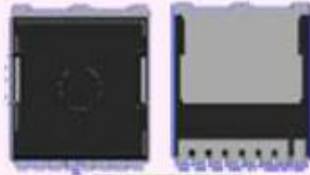
PKG



PPAK 5X6(Cu Clip)
(Open-12款Clip)



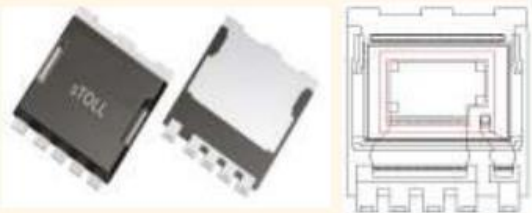
SPPAK5X6 (Cu Clip)
(Open-13款Clip)



TOLL-8L(Cu Clip)



DSCPPAK
(Double side cooling)



sTOLL-5L



LFPK 8x8
Full clip

2026



Headquarter

15F-7, No716, Chung-Cheng Rd. , Zhong he District., New Taipei City,
Taiwan, 23552

TEL:+886-2-8227-3827 FAX:+886-2-8227-3830

Research & Design Center

7F.-11, No.35, Xintai Rd., Zhubei City, Hsinchu County 30252, Taiwan

TEL:+886-3-5537-271 FAX:+886-3-5535-742

E-Mail: cystek@cystek.com.tw

Website: <http://www.cystekec.com>

